

**FLOOR EQUIPMENT PARTS.COM**

# T3

Scrubber-Dryer

## Parts Manual



(S/N 10372394- )

**FaST**  
Foam Scrubbing Technology  
*The Safe Scrubbing Alternative*<sup>®</sup>

**ecH2O**<sup>™</sup>  
ELECTRICALLY CONVERTED WATER

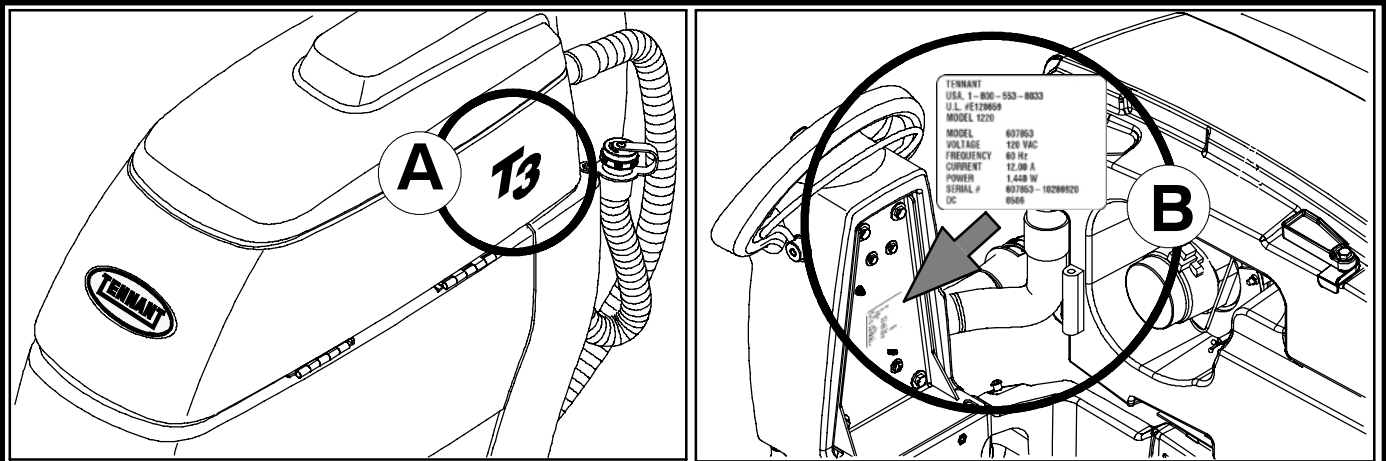
*Hygenic<sup>®</sup> Fully Cleanable Tanks*

**North America / International**

www.tennantco.com

9004172  
Rev. 03 (05-2009)





Ref	Part No.	Serial Number	Description	Qty.
1	82681	(000000- )	Bracket Wldt, Lpg Mount	1
▽ 2	63810	(000000- )	Ch Assy, Lpg Tank Mtg, W/Nut	4
▲ 3	51839	(000000- )	at Adjustable, Lpg Tank Mtg	2
4	49263	(000000- )	Tie, Cable	3
(D)	82556	(000000-001039)	Bracket, Vaporizer	1
	54930	(000000- )	Vaporizer, LPG	1

**HOW TO ORDER PARTS - See diagram above**

Only use TENNANT Company supplied or equivalent parts. Parts and supplies may be ordered online, by phone, by fax or by mail.

Follow the steps below to ensure prompt delivery.

1. (A) Identify the machine model.
2. (B) Identify the machine serial number from the data label.
3. (C) Ensure the proper serial number is used from the parts list.
4. Identify the part number and quantity.  
Do not order by page or reference numbers.
5. Provide your name, company name, customer ID number, billing and shipping address, phone number and purchase order number.
6. Provide detail shipping instructions.

- (D) ▽ - identifies an assembly  
 ▲ - identifies parts included in assembly  
 (E) ● - identifies a recommended stock item

**Please fill out at time of installation for future reference.**

Model No. - \_\_\_\_\_  
 Serial No. - \_\_\_\_\_  
 Machine Options - \_\_\_\_\_  
 Sales Rep. - \_\_\_\_\_  
 Sales Rep. phone no. - \_\_\_\_\_  
 Customer ID Number - \_\_\_\_\_  
 Installation Date - \_\_\_\_\_

**Tennant Company**

PO Box 1452  
 Minneapolis, MN 55440  
 Phone: (800) 553-8033 or (763) 513-2850  
 www.tennantco.com

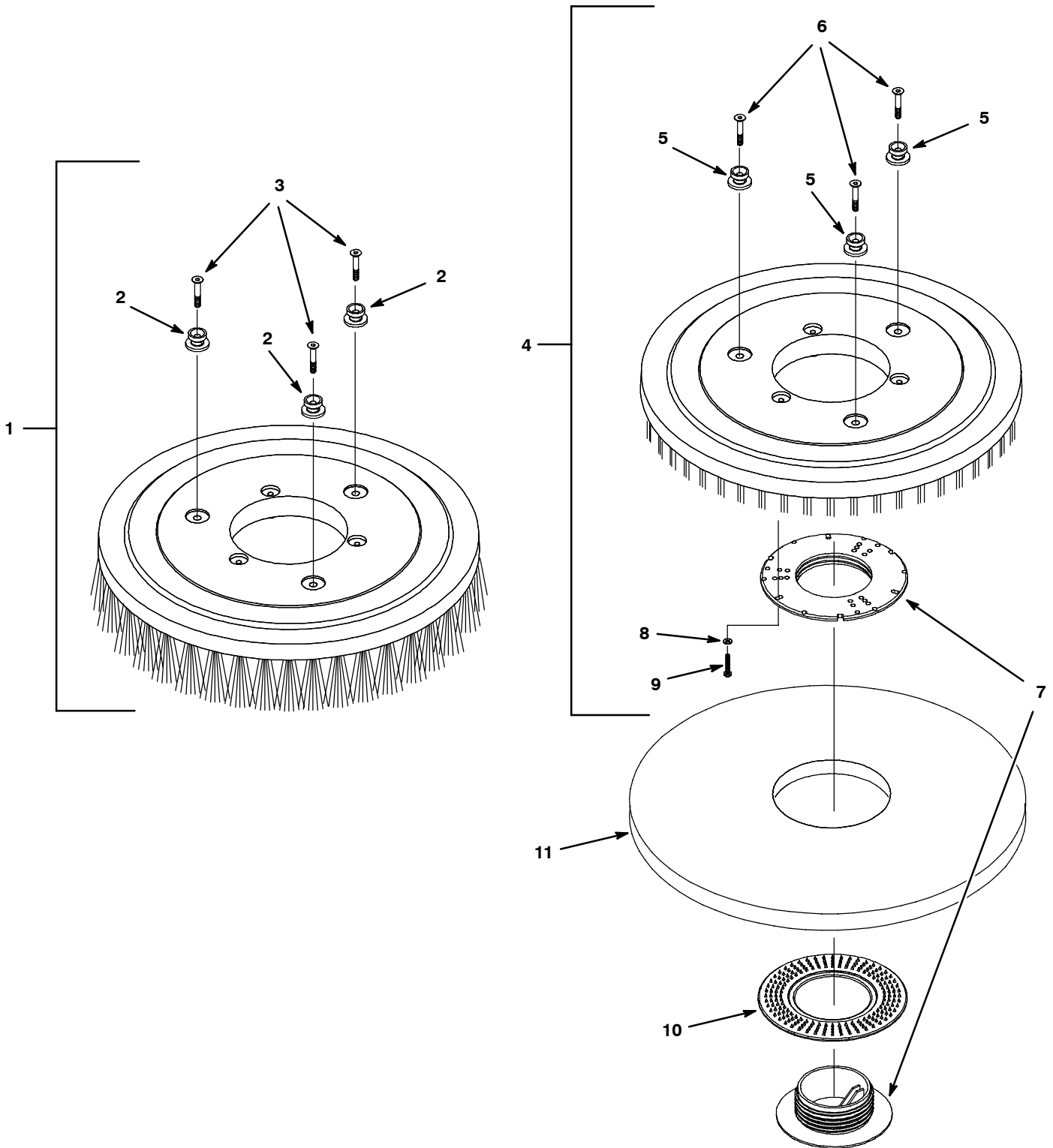
Specifications and parts are subject to change without notice.

Copyright © 2008, 2009 TENNANT Company, Printed in U.S.A.

**TABLE OF CONTENTS**

REPLACEMENT BRUSH AND PAD		BATTERY GROUP, 12V/155AH, 50 cm (20 in)	
DRIVER GROUP .....	4	DRIVE MODEL .....	48
RECOVERY TANK GROUP .....	6	BATTERY GROUP, 12V/130AH, 50 cm (20 in)	
RECOVERY TANK GROUP		BRUSH ASSIST MODEL .....	49
(JAPAN MARKET) .....	8	BATTERY GROUP, 12V/105AH, 43 cm (17 in)	
VACUUM FAN GROUP .....	10	BRUSH ASSIST MODEL .....	50
SOLUTION TANK GROUP .....	12	BATTERY GROUP, MAINTENANCE FREE,	
SOLUTION TANK GROUP - CONTD .....	14	12V/105AH (JAPAN MARKET) .....	51
CONTROL CONSOLE GROUP,		OFF-BOARD BATTERY CHARGER GROUP ...	52
DRIVE MODEL .....	16	ON-BOARD BATTERY CHARGER GROUP ....	54
COMPONENT PANEL GROUP,		ELECTRICAL DIAGRAM, DRIVE STANDARD &	
DRIVE MODEL .....	18	FAST MODEL .....	56
CONTROL CONSOLE GROUP, BRUSH		ELECTRICAL DIAGRAM, BRUSH ASSIST	
ASSIST MODEL .....	20	STANDARD & FAST MODEL .....	57
COMPONENT PANEL GROUP, BRUSH		ELECTRICAL DIAGRAM, DRIVE <i>ec-H2O</i>	
ASSIST MODEL .....	22	MODEL .....	58
WHEEL GROUP, DRIVE MODEL .....	24	ELECTRICAL DIAGRAM, BRUSH ASSIST <i>ec-H2O</i>	
WHEEL GROUP, BRUSH ASSIST MODEL .....	26	MODEL .....	59
SCRUB HEAD GROUP, 43 cm (17 in) MODEL ..	28	<b>OPTIONS</b>	
SCRUB HEAD GROUP, 50 cm (20 in) MODEL ..	30	BATTERY GROUP, MAINTENANCE FREE,	
SCRUB HEAD LIFT GROUP .....	32	12V/140AH .....	60
SOLUTION GROUP, FaST MODEL .....	34	BATTERY GROUP, GEL, 12V/100AH .....	61
SOLUTION GROUP, FaST MODEL - CONT'D ..	36	OIL RESISTANCE GROUP	
9003906 FAST INJECTOR ASSEMBLY		(JAPAN MARKET) .....	62
BREAKDOWN .....	38		
SOLUTION GROUP, <i>ec-H2O</i> MODEL .....	40		
9006161 <i>ec-H2O</i> MODULE ASSEMBLY			
BREAKDOWN .....	42		
SOLUTION GROUP, STANDARD MODEL .....	44		
SQUEEGEE GROUP .....	46		

REPLACEMENT BRUSH AND PAD DRIVER GROUP

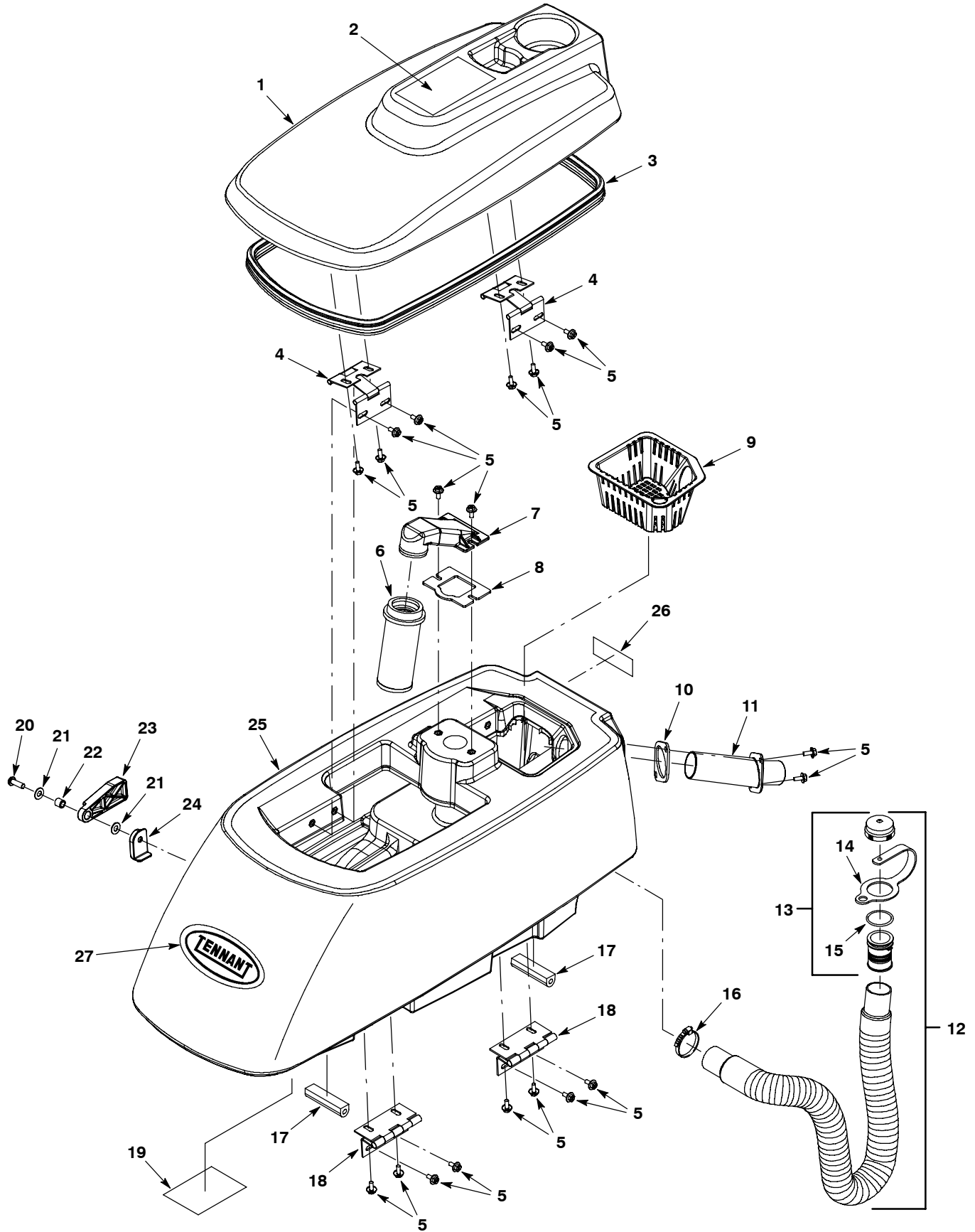


REPLACEMENT BRUSH AND PAD DRIVER GROUP

Ref.	Part No.	Serial Number	Description	Qty.
1	1016763	(10372394-	)● Brush Assy, Disk, 43cm/17inch, Super Abrasive Scrub (Gray)	1
1	1016764	(10372394-	)● Brush Assy, Disk, 43cm/17inch, Soft Nylon Scrub (White)	1
1	1016765	(10372394-	)● Brush Assy, Disk, 43cm/17inch, Polypropylene Scrub (Black)	1
1	1016805	(10372394-	)● Brush Assy, Disk, 50cm/20inch, Super Abrasive Scrub (Gray)	1
1	1016810	(10372394-	)● Brush Assy, Disk, 50cm/20inch, Soft Nylon Scrub (White)	1
1	1016811	(10372394-	)● Brush Assy, Disk, 50cm/20inch, Polypropylene Scrub (Black)	1
2	1013018	(10372394-	) Stud, Drive, Brush Pad	3
3	07809	(10372394-	) Screw, Flt, M6 X 1.0 X 35, 10.9	3
4	1016813	(10372394-	)● Driver Assy, Pad, 43cm/17inch	1
4	1016814	(10372394-	)● Driver Assy, Pad, 50cm/20inch	1
5	1013018	(10372394-	) Stud, Drive, Brush Pad	3
6	07809	(10372394-	) Screw, Flt, M6 X 1.0 X 35, 10.9	3
7	32506	(10372394-	)● Device, Centering, Rh Pad Retainer	1
8	41579	(10372394-	) Washer, Flat, #08, Ss	3
9	04403	(10372394-	) Screw, Pan, M4 X 0.7 X 25, Ss, NI	3
10	32505	(10372394-	)● Washer, Flat, 3.60b 5.65d .06, Brush Pad	1
11	1050273	(10372394-	)● Pad, Polish, 17.0d, White [1pick=1pad]	1
11	1050271	(10372394-	)● Pad, Buff, 17.0d, Red [1pick=1pad]	1
11	1050270	(10372394-	)● Pad, Scb, 17.0d, Blue [1pick=1pad]	1
11	1050267	(10372394-	)● Pad, Stripping, 17.0d, Brown[1pick=1pad]	1
11	1050262	(10372394-	)● Pad, Stripping, 17.0d[Hi Pro,1pick=1pad] (Black)	1
11	1051028	(10372394-	)● Pad, Surf Prep, 17.0d [Mar, 1pick=1pad] (Maroon)	1
11	17260	(10372394-	)● Pad, Polish, 20.0d, White [1pick=1pad]	1
11	17261	(10372394-	)● Pad, Buff, 20.0d, Red [1pick=1pad]	1
11	17262	(10372394-	)● Pad, Scb, 20.0d, Blu [1pick=1pad]	1
11	17263	(10372394-	)● Pad, Stripping, 20.0d, Brown[1pick=1pad]	1
11	370094	(10372394-	)● Pad, Stripping, 20.0d[Hi Prod,1pick=1pad] (Black)	1
11	1051030	(10372394-	)● Pad, Surf Prep, 20.0d [Mar, 1pick=1pad] (Maroon)	1

● RECOMMENDED STOCK ITEMS

RECOVERY TANK GROUP



## RECOVERY TANK GROUP

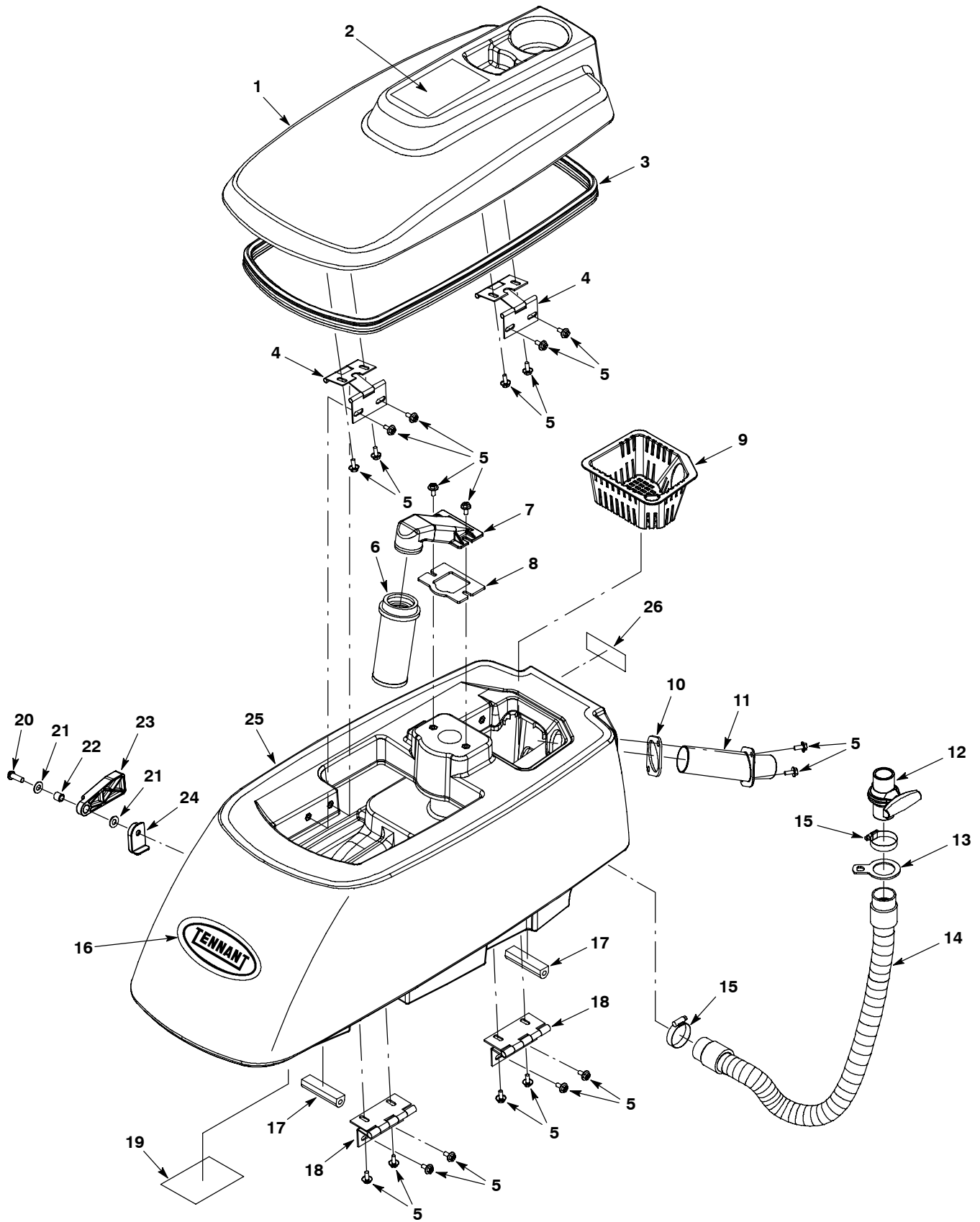
Ref.	Part No.	Serial Number	Description	Qty.
▽	1	9004046	(10372394- ) Cover, Tank, Recvy, Afmkt [T3]	1
▲	2	1036679	(10372394- ) Label, Warning [Exp,Fre,Shk En/Fr/Es/Jp]	1
▲	3	1022797	(10372394- )● Seal, Bulb, Str, .295grv, 66.93l	1
	4	1021246	(10372394- ) Hinge, 4mm Pin 2.0 75.0mmw, 3 Leaf	2
	5	1034731	(10372394- ) Screw, Hex, M6 X 1.00 X 16, Sems, Ss	20
	6	630052	(10372394- )● Float, Shut-Off, (2)Ball, 1.75d	1
	7	1011777	(10372394- ) Mount, Float, Mold	1
	8	1013628	(10372394- ) Gasket, Mtg, Float, .125th, Neo, Adh	1
	9	1036757	(10372394- ) Tray, Debris	1
	10	1037106	(10372394- )● Gasket, Adapter, Hose .13, Neo	1
	11	1037064	(10372394- ) Tube, Hose, Adapter, 1.5d	1
▽	12	1043538	(10372394- )● Hose Assy, Drain, 1.50id X 29.5l, Blk	1
▲▽	13	1008639	(10372394- )● Cap, Drain Assy	1
▲▲	14	1019563	(10372394- )● Strap, Cap, Drain	1
▲▲	15	1008637	(10372394- )● Seal, Org, 1.48id 1.76od	1
	16	11531	(10372394- ) Clamp, Hose, Wormdrive, 1.06-2.00d, .56w	1
	17	630368	(10372394- )● Seal, .75, .75w 25.6l, Adh [D Shape]	1
	18	1012540	(10372394- ) Hinge, 6mm Pin 2.5 73.5mmw 100mml, Bent	2
	19	1014154	(10372394- ) Label, Instr, Battery [T3]	1
	20	1039118	(10372394- ) Screw, Btn, M8 X 1.25 X 30, Blk	1
	21	140027	(10372394- ) Washer, Flat, 0.35b 0.75d .04, Ss	2
	22	222460	(10372394- ) Sleeve, P/M, 0.31b 0.50d 0.5l [430ss]	1
	23	1022399	(10372394- ) Support, Tank, Prop, Blk, Nyl	1
	24	1022904	(10372394- ) Bracket, Sppt, Stop, Blk, Nyl	1
	25	9004045	(10372394- ) Tank, Recvy, Afmkt [T3] (Teal)	1
	25	9004882	(10372394- ) Tank, Recvy, Afmkt Hg [T3] (Gray)	1
	26	391451	(10372394- ) Label [Attention Fast Users, 5400s] (Fast Model)	1
	26	1050003	(10378531- ) Label, User, Attention, Ec-H2o (ec-H2O Model)	1
	27	1047746	(10372394- ) Label, Logo, 06.9l, White, [Tennant] (Teal)	1
	27	1047747	(10372394- ) Label, Logo, 06.9l, White, Hg, [Tennant] (Gray)	1

▽ ASSEMBLY

▲ INCLUDED IN ASSEMBLY

● RECOMMENDED STOCK ITEMS

RECOVERY TANK GROUP  
(JAPAN MARKET)





**RECOVERY TANK GROUP  
(JAPAN MARKET)**

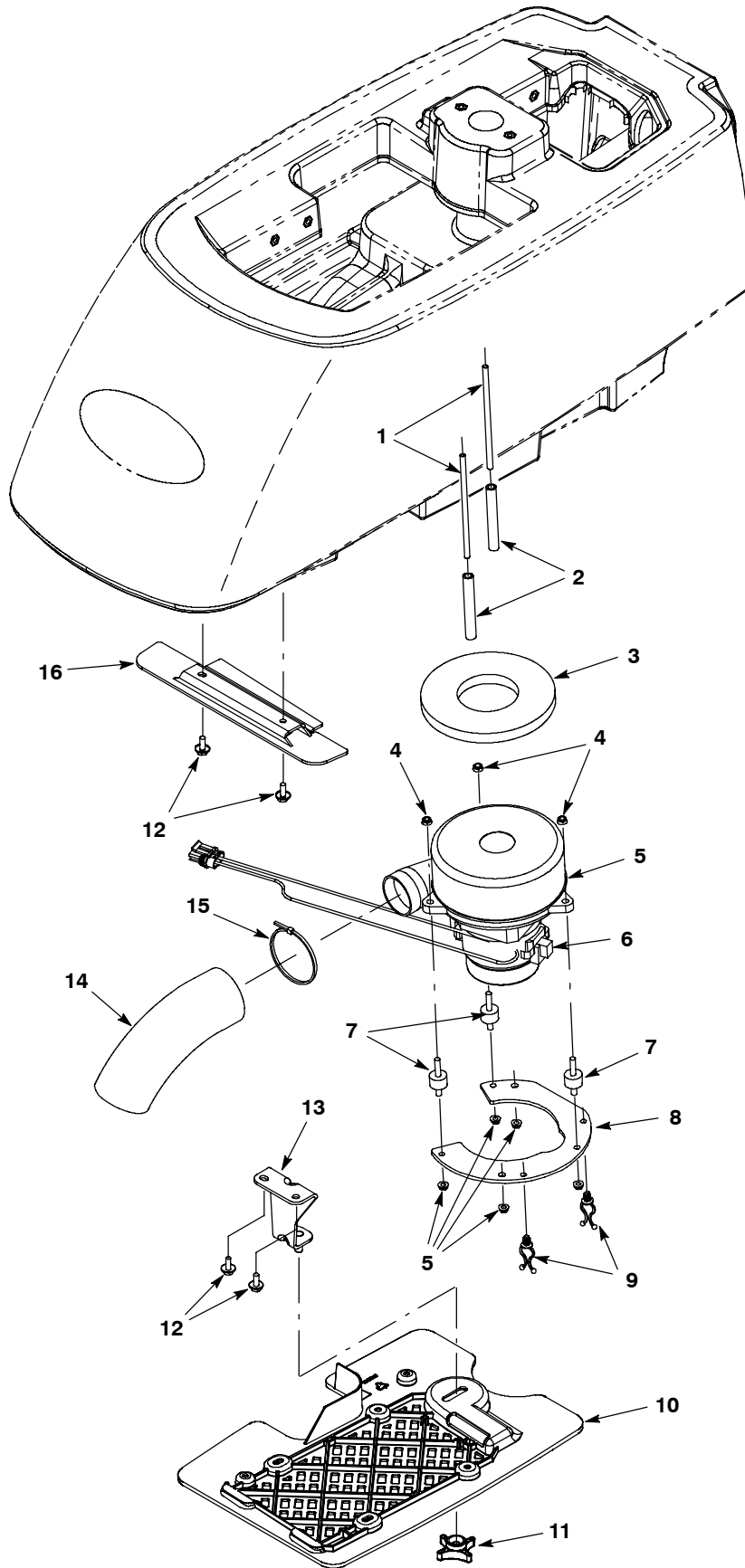
Ref.	Part No.	Serial Number	Description	Qty.
▽	1	9004046	(10372394- ) Cover, Tank, Recvy, Afmkt [T3]	1
▲	2	1036679	(10372394- ) Label, Warning [Exp,Fre,Shk En/Fr/Es/Jp]	1
▲	3	1022797	(10372394- )● Seal, Bulb, Str, .295grv, 66.93l	1
	4	1021246	(10372394- ) Hinge, 4mm Pin 2.0 75.0mmw, 3 Leaf	2
	5	1034731	(10372394- ) Screw, Hex, M6 X 1.00 X 16, Sems, Ss	20
	6	630052	(10372394- )● Float, Shut-Off, (2)Ball, 1.75d	1
	7	1011777	(10372394- ) Mount, Float, Mold	1
	8	1013628	(10372394- ) Gasket, Mtg, Float, .125th, Neo, Adh	1
	9	1036757	(10372394- ) Tray, Debris	1
	10	1037106	(10372394- )● Gasket, Adapter, Hose .13, Neo	1
	11	1037064	(10372394- ) Tube, Hose, Adapter, 1.5d	1
	12	1051986	(10372394- )● Valve, Hose, Drain	1
	13	1051504	(10372394- )● Strap, Hose, Drain	1
	14	1051438	(10372394- )● Hose, Drain, 1.50id X 19.3l, Blk	1
	15	11531	(10372394- ) Clamp, Hose, Wormdrive, 1.06-2.00d, .56w	2
	16	1047746	(10372394- ) Label, Logo, 06.9l, White, [Tennant] (Teal)	1
	17	630368	(10372394- )● Seal, .75, .75w 25.6l, Adh [D Shape]	1
	18	1012540	(10372394- ) Hinge, 6mm Pin 2.5 73.5mmw 100mml, Bent	2
	19	1014154	(10372394- ) Label, Instr, Battery [T3]	1
	20	1039118	(10372394- ) Screw, Btn, M8 X 1.25 X 30, Blk	1
	21	140027	(10372394- ) Washer, Flat, 0.35b 0.75d .04, Ss	2
	22	222460	(10372394- ) Sleeve, P/M, 0.31b 0.50d 0.5l [430ss]	1
	23	1022399	(10372394- ) Support, Tank, Prop, Blk, Nyl	1
	24	1022904	(10372394- ) Bracket, Sppt, Stop, Blk, Nyl	1
	25	9004045	(10372394- ) Tank, Recvy, Afmkt [T3] (Teal)	1
	26	391451	(10372394- ) Label [Attention Fast Users, 5400s] (Fast Model)	1
	26	1050003	(10378531- ) Label, User, Attention, Ec-H2o (ec-H2O Model)	1

▽ ASSEMBLY

▲ INCLUDED IN ASSEMBLY

● RECOMMENDED STOCK ITEMS

VACUUM FAN GROUP



## VACUUM FAN GROUP

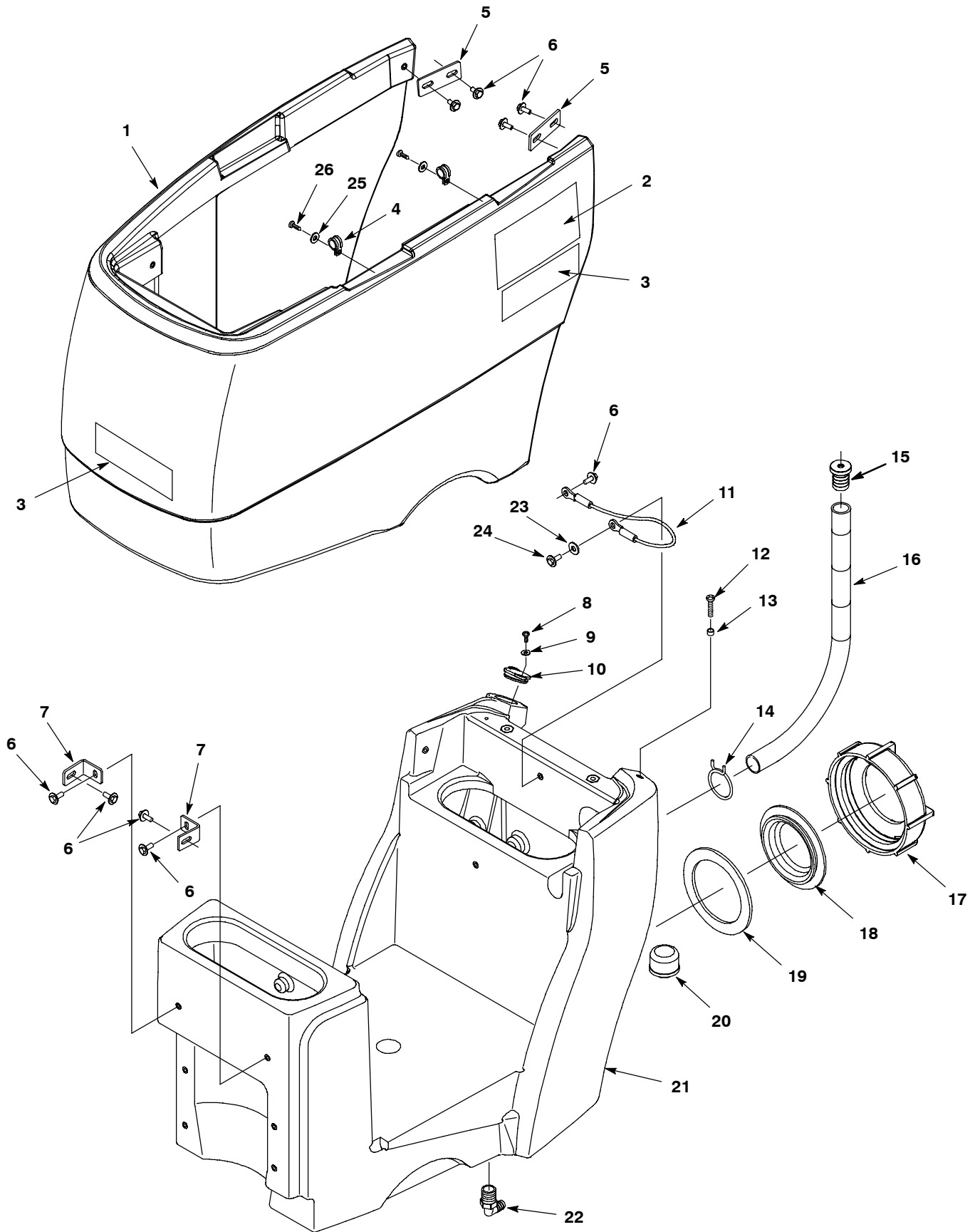
Ref.	Part No.	Serial Number	Description	Qty.
1	1015412	(10372394-	) Rod, Thrd, Full, M06 X 1.0 05.5l	2
2	1024575	(10372394-	) Tube, 0.28id 0.43od 03.3l, Pl	2
3	100038	(10372394-	)● Gasket, .50, 02.63id 05.75od, Adh [Epdm]	1
4	1040381	(10372394-	) Nut, Hex, Flng, M6 X 1.0, Ss [Serrated]	8
▽	5	1023271	(10372394-)● Fan, Vacuum, 5.7d, 024vdc, 2 Stage [Bpt]	1
▲	6	372883	(10372394-)● Vr, Brush Kit, Motor, Ele	1
7	1011093	(10372394-	)● Isolator, Vib, .75d, M6 Stud Both Ends	3
8	1011962	(10372394-	) Bracket, Mtg, Vacuum	1
9	30406	(10372394-	) Clip, Keeper	2
10	1037849	(10372394-	) Cover, Charger	1
11	1010558	(10372394-	)● Knob, Star, 2.00d 4ear 0.7l M8x1.25,Thru	1
12	1034731	(10372394-	) Screw, Hex, M6 X 1.00 X 16, Sems, Ss	4
13	1038222	(10372394-	) Bracket, Wldt, Charger Cover	1
14	1009906	(10372394-	)● Muffler, Exhaust, Vacuum, 170mml [T3]	1
15	130773	(10372394-	) Tie, Cable, Nyl, 11.0l, .14w, 3.0 Max. D	1
16	1037905	(10372394-	) Bracket, Catch, Cover [Raptor]	1

▽ ASSEMBLY

▲ INCLUDED IN ASSEMBLY

● RECOMMENDED STOCK ITEMS

SOLUTION TANK GROUP



## SOLUTION TANK GROUP

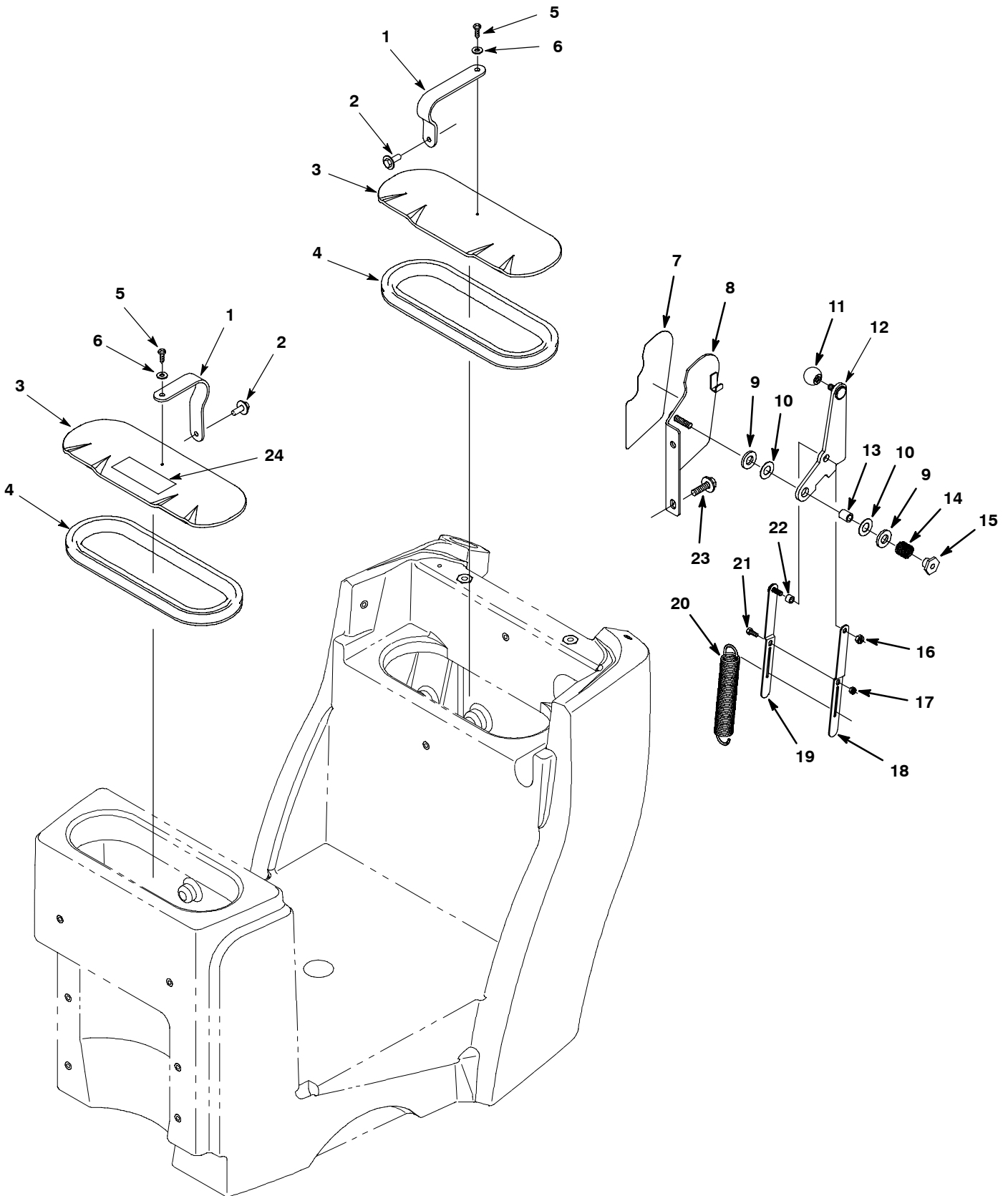
Ref.	Part No.	Serial Number	Description	Qty.
▽	1	1037658	(10372394- ) Shroud, Front, Afmkt, Rm-Teal (Standard & Fast Model)	1
▲	2	1016625	(10372394- ) Label, Side [T3]	2
▲	2	1016626	(10372394- ) Label, Side [T3 Fast]	2
▽	1	1046674	(10378531- ) Shroud, Front, Afmkt, Rm-Teal (ec-H2O Model)	1
▲	2	1016625	(10372394- ) Label, Side [T3]	2
	3	1050001	(10378531- ) Label, Side, Ec-H2o [T3/T3e/T5/T7 ]	3
▽	1	1037659	(10372394- ) Shroud, Front, Afmkt, Rm-Gray (Standard & Fast Model)	1
▲	2	1016625	(10372394- ) Label, Side [T3]	2
▲	2	1016626	(10372394- ) Label, Side [T3 Fast]	2
▽	1	1046675	(10378531- ) Shroud, Front, Afmkt, Rm-Gray (ec-H2O Model)	1
▲	2	1016625	(10372394- ) Label, Side [T3]	2
	3	1050002	(10378531- ) Label, Side, Ec-H2o [T3/T5/T7 Gray]	3
	4	1016354	(10372394- ) Clamp, Cable, Ss, 0.50d X 0.50w [Insul]	2
	4	140314	(10372394- ) Clamp, Cable, Stl, 0.75d X 0.75w, 1 Hole (Australian Model)	2
	5	1012614	(10372394- ) Bracket, Attmnt, Shrd	2
	6	1034731	(10372394- ) Screw, Hex, M6 X 1.00 X 16, Ss, Sems	10
	7	1012544	(10372394- ) Bracket, Sppt, Shrd	2
	8	1018155	(10372394- ) Screw, Pan, M5 X 0.8 X16, Ss, Tcut	1
	9	01683	(10372394- ) Washer, Flat, 0.22b 0.50d .05, Ss [#10]	1
	10	1012965	(10372394- )● Cap, Port, Soltn Fill	1
	11	140960	(10372394- ) Cable, Glv .13d 014.5l .34eye /.34eye	1
	12	608322	(10372394- ) Screw, Trs, M6 X 1.00 X 16, Phl, Ss	1
	13	140154	(10372394- ) Sleeve, P/M, 0.25b 0.38d 0.3l, Pl	1
	14	608915	(10372394- ) Clamp, Hose, Wir, 1.03 - 1.09	1
	15	1035469	(10372394- ) Fitting, Plastic, Bm12 [Sight Tube]	1
	16	1011721	(10372394- )● Hose, Drain, 0.75id X 25.6l, Vyl	1
	17	1014001	(10372394- ) Cap, Tank, Drain, Thrdr	1
	18	1014029	(10372394- ) Plug, Cap, Gray	1
	19	375206	(10372394- )● Gasket, 4.05id 5.47od .19, Neo	1
	20	1015522	(10372394- )● Filter, Screen, 080 Mesh, Ss, Pf08	1
	21	1018741	(10372394- ) Tank, Soltn, Afmkt [T3]	1
	22	1013505	(10372394- ) Fitting, Plstc, E90, Bm08/Pm08, Nyl	1
	23	01684	(10372394- ) Washer, Flat, 0.27b 0.69d .05, Ss	1
	24	11329	(10372394- ) Screw, Hex, M6 X 1.00 X 16, NI, Ss	1
	25	01683	(10372394- ) Washer, Flat, 10, Ss (Australian Model)	2
	26	1018155	(10372394- ) Screw, Pan, M5 X 0.8 X16, Ss, Tcut	2

▽ ASSEMBLY

▲ INCLUDED IN ASSEMBLY

● RECOMMENDED STOCK ITEMS

SOLUTION TANK GROUP - CONTD



## SOLUTION TANK GROUP - CONTD

Ref.	Part No.	Serial Number	Description	Qty.
1	1013768	(10372394-	)● Strap, Retaining, 20mm X 159mm X 3.2,Blk	2
2	1034731	(10372394-	) Screw, Hex, M6 X 1.00 X 16, Ss, Sems	2
3	1011585	(10372394-	) Cover, Tank, Soltn	2
4	1017251	(10372394-	)● Seal, Bulb, 90, 0.49d .08-.09grip 022.2l	2
5	1018155	(10372394-	) Screw, Pan, M5 X 0.8 X16, Ss, Tcut	2
6	01683	(10372394-	) Washer, Flat, 0.22b 0.50d .05, Ss [#10]	2
7	1018389	(10372394-	) Label, Lever, Dual Down Press	1
8	1018020	(10372394-	) Bracket Wldt, Mtg, Dual Dp Lever [T3]	1
9	140127	(10372394-	) Bearing, Thrust, 0.51b 1.00d 0.12w, Brz	2
10	89710	(10372394-	) Washer, Flat, 0.51b 1.00d .03, Nyl	2
11	1017156	(10372394-	)● Knob, Ball, M8 Insert, 40mmd, Plstc	1
12	1017493	(10372394-	) Lever, Lift, Dual Down Press	1
13	1014336	(10372394-	) Sleeve, P/M, 8.40b 12.60d 14.5l, PI	1
14	1018756	(10372394-	) Spring, Cmpr, 0.70od .08wir 00.7l, PI,Mw	1
15	1018181	(10372394-	) Retainer, Spring, Lever	1
16	08708	(10372394-	) Nut, Hex, Lock, M6 X 1.00, NI	1
17	09739	(10372394-	) Nut, Hex, Lock, M5 X 0.80, NI, Ss	1
18	1017805	(10372394-	) Link, Spring, Lever	1
19	1017882	(10372394-	) Link Wldt, Spring, Lever	1
20	1031783	(10372394-	) Spring, Extn, 1.00od 0.12wir 06.3l	1
21	09738	(10372394-	) Screw, Hex, M5 X 0.8 X 12, Ss	1
22	1017884	(10372394-	) Bushing, Sleeve, 6mmb 10mmd 7mml	1
23	1020341	(10372394-	) Screw, Hex, M8 X 1.25 X 20, Ss, Sems Sq	2
24	391451	(10372394-	) Label [Attention Fast Users, 5400s] (Fast Model)	1
24	1050003	(10378531-	) Label, User, Attention, Ec-H2o (ec-H2O Model)	1

## ● RECOMMENDED STOCK ITEMS





## CONTROL CONSOLE GROUP, DRIVE MODEL

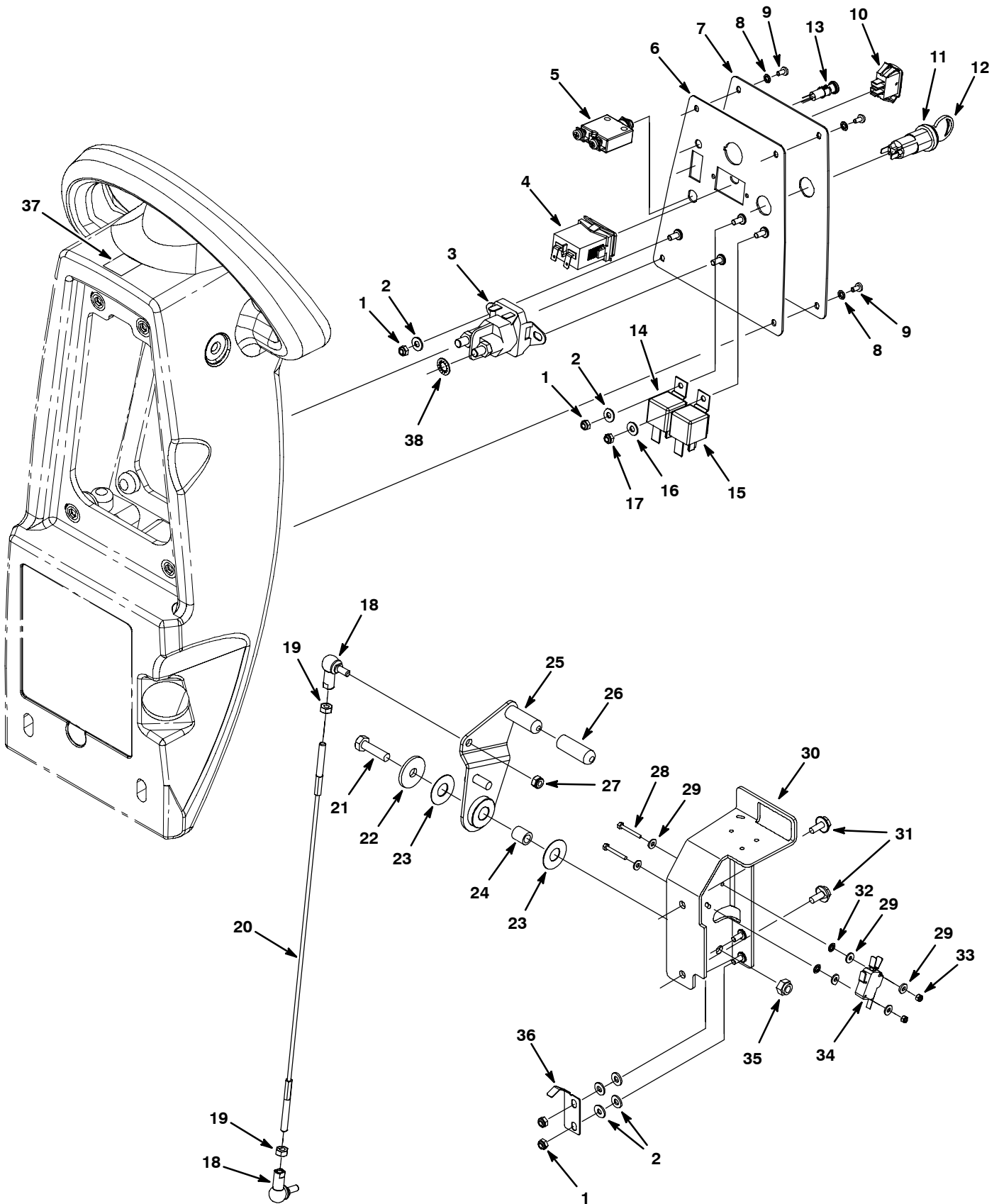
Ref.	Part No.	Serial Number	Description	Qty.
1	1013342	(10372394-	) Shaft, Actuator, Forward / Reverse	1
2	1013363	(10372394-	) Lever Wldt, Bail, Console	1
3	1015578	(10372394-	) Screw, Set, M8 X 1.25 X 8, Ss, NI[Cuppt]	4
4	1018559	(10372394-	) Screw, Set, M6 X 1.00 X 30, Ss [Fltpt]	1
5	630088	(10372394-	) Spring, Tors, Cntr, .072, Pl, Mw	1
6	1013381	(10372394-	) Collar Wldt, Actuator, Console	1
7	1018745	(10372394-	) Housing, Cntrl, Afmkt [T3]	1
8	1042687	(10372394-	) Harness, Pot, Wire Assy [45k Ohm]	1
9	1011707	(10372394-	) Panel, Cntrl, Upper	1
10	1014157	(10372394-	) Label, Opertnl, Upper, Propel [Tt]	1
11	140825	(10372394-	) Screw, Pan, Phl, 06 X 0.50, Fmg/Ab, Blk	2
12	606550	(10372394-	)● Knob, Rnd, 0.92d 0.76l 0.25b, Plstc	1
13	392894	(10372394-	)● Gauge, Discharge, Battery, 36vdc, Rt,Led	1
14	579211	(10372394-	) Nut, Hex, Lock, M3 X 0.50, NI, Ss	2
15	09026	(10372394-	) Screw, Hex, M8 X 1.25 X 40, Ss	2
16	1016331	(10372394-	) Washer, Flat, 0.34b 1.25d .11, Ss	2
17	367770	(10372394-	) Screw, Pan, Phl, M6 X 1.00 X 16, Ss	1
18	07515	(10372394-	) Washer, Lock, Int, 0.25, Ss	1
19	1035469	(10372394-	) Fitting, Plstc, Bm12 [Sight Tube]	1
20	33931	(10372394-	) Screw, Pan, Phl, M4 X 0.70 X 30, Ss	2
21	1010905	(10372394-	)● Module, Drive	1
22	48732	(10372394-	) Screw, Pan, Phl, M6 X 1.00 X 10, Ss	2
23	07515	(10372394-	) Washer, Lock, Int, 0.25, Ss	2
24	01684	(10372394-	) Washer, Flat, 0.27b 0.69d .05, Ss	2
25	1013523	(10372394-	)● Stand-Off, Wir, M6, 18 Hex, 20l, Insul	1
26	1012011	(10372394-	) Bracket, Hsng, Cntrl [T3]	1
27	1020341	(10372394-	) Screw, Hex, M8 X 1.25 X 20, Ss, Sems	6
28	1034731	(10372394-	) Screw, Hex, M6 X 1.00 X 16, Sems, Ss	4
29	33932	(10372394-	) Nut, Hex, Lock, M4 X 0.70, NI, Ss	2
30	41579	(10372394-	) Washer, Flat, 08, Ss	2
▽	31	9006228	(10372394-)● Harness Kit, Main, Drive [T3 Na]	1
▲	32	1016040	(10372394-)● Fuse, Blade, 25a, 32vdc	1
▲	33	1016041	(10372394-)● Fuse, Blade, 30a, 32vdc	1
▽	31	9006226	(10372394-)● Harness Kit, Main, Drive [T3 Mid Emc] (Australian Model)	1
▲	32	1016040	(10372394-)● Fuse, Blade, 25a, 32vdc	1
▲	33	1016041	(10372394-)● Fuse, Blade, 30a, 32vdc	1
▽	34	1013644	(10372394-)● Harness [Fast Option] (Fast Model)	1
▲	35	1016039	(10372394-)● Fuse, Blade, 7.5a, 32vdc	1
▽	34	1048126	(10378531-)● Harness Assy, Wire [T3 Ec-H2o, P3] (ec-H2O Model)	1
▲	35	1047470	(10378531-)● Fuse, Blade, 10a, 32vdc, Red	1
	36	1015570	(10372394-) Bracket, Spring, Balancer, Bail	1
	37	1015826	(10372394-) Plate, Screw, Bail	1
	38	1013705	(10372394-) Plate, Thread, Switch, M3 Nut, 96hr Pl	2
	39	1013364	(10372394-) Bracket, Switch, Bail	1
	40	41578	(10372394-) Washer, Flat, 06, Ss	8
	41	02938	(10372394-) Washer, Lock, Int, 08, Ss	4
	42	1012568	(10372394-)● Switch, Snap, 10a, Short	2
	43	1042062	(10372394-) Screw, Hex, M3 X 0.5 X 25, Ss	4

▽ ASSEMBLY

▲ INCLUDED IN ASSEMBLY

● RECOMMENDED STOCK ITEMS

COMPONENT PANEL GROUP, DRIVE MODEL



## COMPONENT PANEL GROUP, DRIVE MODEL

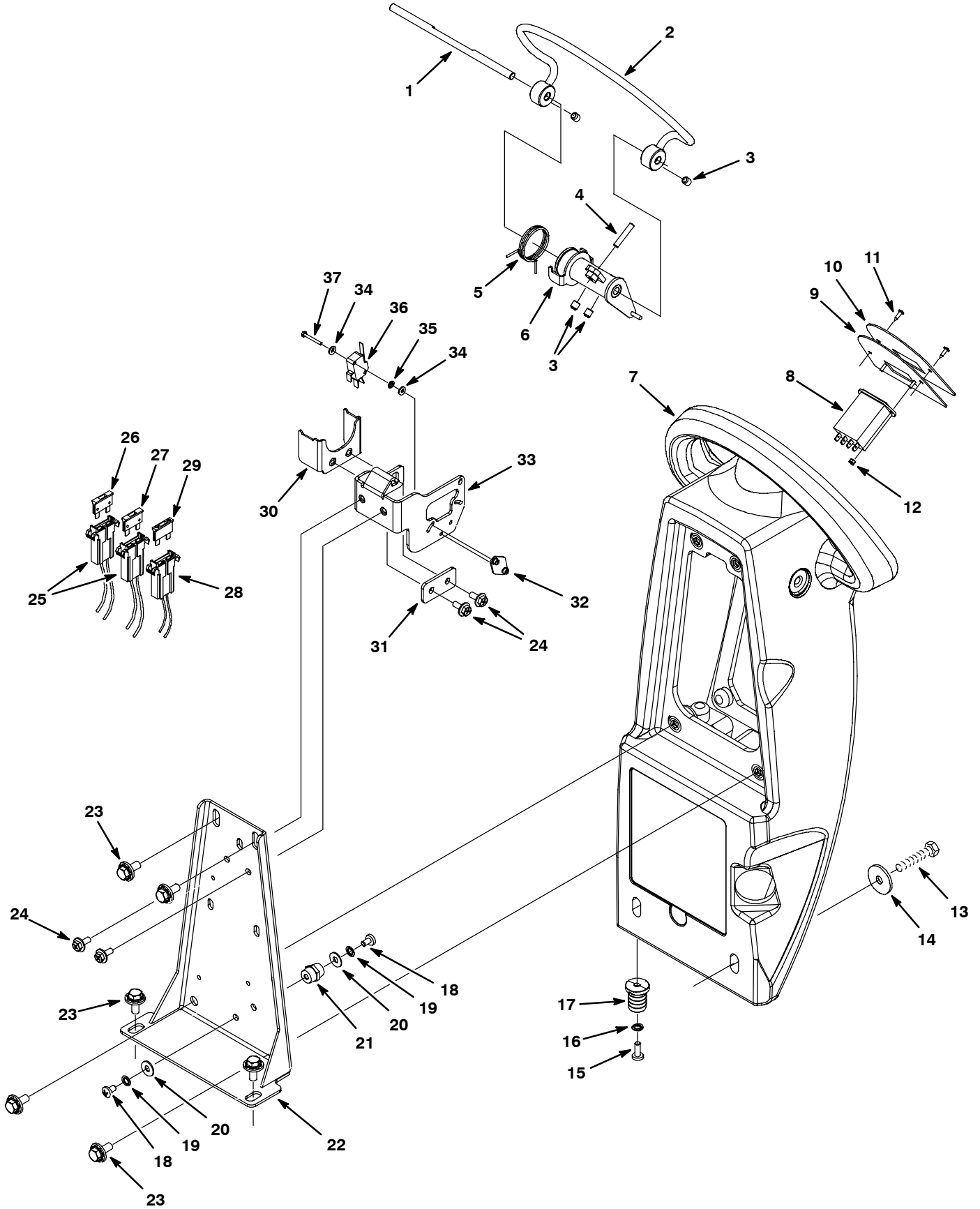
Ref.	Part No.	Serial Number	Description	Qty.
1	09739	(10372394-	) Nut, Hex, Lock, M5 X 0.80, NI, Ss	5
2	01683	(10372394-	) Washer, Flat, 10, Ss	7
3	1038490	(10372394-	)● Relay, 24vdc, 100a, No [Trombetta]	1
4	1011282	(10372394-	)● Gauge, Hourmeter, 12/60 Vdc [Ret Mount]	1
5	1035339	(10372394-	)● Circuitbreaker, 37.0a	1
6	1012134	(10372394-	) Panel, Cntrl, Lower	1
7	1016628	(10372394-	) Label, Panl, Instmt, Lower [T3/T3e/Ss3]	1
7	1049998	(10378531-	) Label, Console, Lower Ec-H2o [T3 Na/Aej] (ec-H2O Model)	1
8	02938	(10372394-	) Washer, Lock, Int, 08, Ss	4
9	391403	(10372394-	) Screw, Pan, Phl, M4 X 0.70 X 8, Ss	4
10	130787	(10372394-	) Switch, Rocker, Spdt (Fast & ec-H2O Model)	1
▽	11	1011402	(10372394-)● Switch, Key	1
▲	12	1017696	(10372394-)● Key Set, Replmt [F/ Keyswitch 1011402]	1
13	1041822	(10378531-	)● Light, Panel, Mgt, .312" Dia. (ec-H2O Model)	1
14	1012216	(10372394-	)● Relay, 24vdc, 070a, Spst No, Plug-In	1
15	1012216	(10372394-	)● Relay, 24vdc, 070a, Spst No, Plug-In (Fast Model)	1
16	01683	(10372394-	) Washer, Flat, 10, Ss (Fast Model)	1
17	09739	(10372394-	) Nut, Hex, Lock, M5 X 0.80, NI, Ss (Fast Model)	1
18	1012747	(10372394-	) Balljoint, M06 X 1.0 Fem, M06 X 1.0 Mal	2
19	07785	(10372394-	) Nut, Hex, Std, M6 X 1.00, Ss	2
20	1013479	(10372394-	) Cable, Glv 3.18mmd 0422l M6/ M6	1
21	09011	(10372394-	) Screw, Hex, M8 X 1.25 X 30, Ss	1
22	1016331	(10372394-	) Washer, Flat, 0.34b 1.25d .11, Ss	1
23	1013397	(10372394-	) Washer, Flat, M13 X 30 X 0.8, Nyl	2
24	1014336	(10372394-	) Sleeve, P/M, 8.40b 12.60d 14.5l, PI	1
25	1013329	(10372394-	) Lever Wldt, Sqge	1
26	1016895	(10372394-	)● Cap, Handle, Sqge Lift	1
27	08712	(10372394-	) Nut, Hex, Lock, M6 X 1.00, NI, Ss	1
28	1042062	(10372394-	) Screw, Hex, M3 X 0.5 X 25, Ss	2
29	41578	(10372394-	) Washer, Flat, 06, Ss	6
30	1012850	(10372394-	) Bracket Wldt, Lever, Sqge	1
31	1034731	(10372394-	) Screw, Hex, M6 X 1.00 X 16, Sems, Ss	2
32	02938	(10372394-	) Washer, Lock, Int, 08, Ss	2
33	579211	(10372394-	) Nut, Hex, Lock, M3 X 0.50, NI, Ss	2
34	1012568	(10372394-	)● Switch, Snap, 10a, Short	1
35	08713	(10372394-	) Nut, Hex, Lock, M8 X 1.25, NI, Ss	1
36	1015459	(10372394-	) Spring, Lever, Sqge	1
37	1016572	(10372394-	) Label, Dir	1
38	43952	(10372394-	) Washer, Lock, Int, 0.31, Ss	1

▽ ASSEMBLY

▲ INCLUDED IN ASSEMBLY

● RECOMMENDED STOCK ITEMS

CONTROL CONSOLE GROUP, BRUSH ASSIST MODEL



## CONTROL CONSOLE GROUP, BRUSH ASSIST MODEL

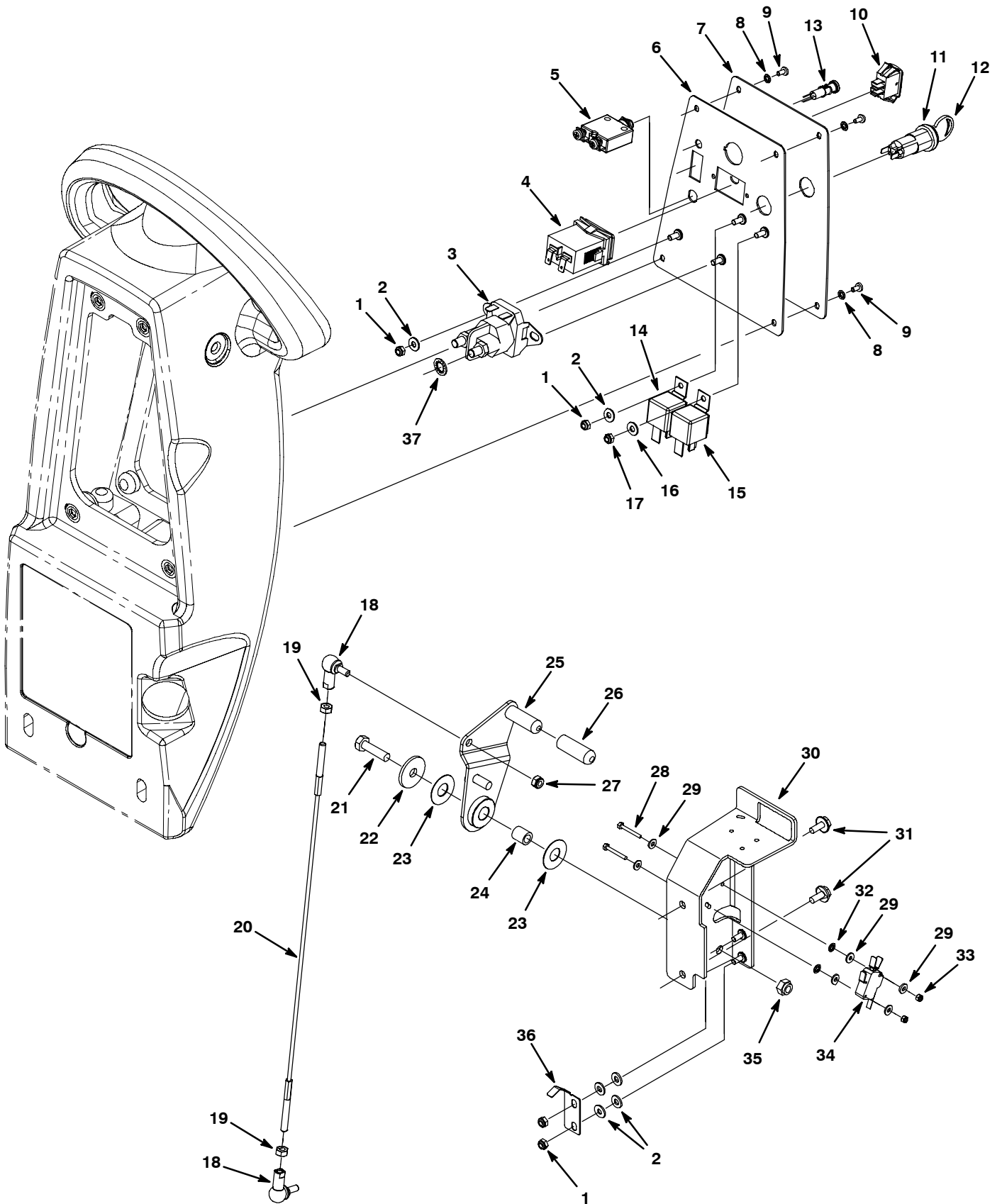
Ref.	Part No.	Serial Number	Description	Qty.
1	1013342	(10372394-	) Shaft, Actuator, Forward / Reverse	1
2	1013363	(10372394-	) Lever Wldt, Bail, Console	1
3	1015578	(10372394-	) Screw, Set, M8 X 1.25 X 8, Ss, NI[Cuppt]	4
4	1018559	(10372394-	) Screw, Set, M6 X 1.00 X 30, Ss [Fltpt]	1
5	630088	(10372394-	) Spring, Tors, Cntr, .072, Pl, Mw	1
6	1013381	(10372394-	) Collar Wldt, Actuator, Console	1
7	1018745	(10372394-	) Housing, Cntrl, Afmkt [T3]	1
8	1016712	(10372394-	)● Indicator, Battery, 24vdc, 1.73volt/Cell	1
9	1011707	(10372394-	) Panel, Cntrl, Upper	1
10	1016755	(10372394-	) Label, Opertnl, Upper, Brush Assist	1
11	140825	(10372394-	) Screw, Pan, Phl, 06 X 0.50, Fmg/Ab, Blk	2
12	579211	(10372394-	) Nut, Hex, Lock, M3 X 0.50, NI, Ss	2
13	09026	(10372394-	) Screw, Hex, M8 X 1.25 X 40, Ss	2
14	1016331	(10372394-	) Washer, Flat, 0.34b 1.25d .11, Ss	2
15	367770	(10372394-	) Screw, Pan, Phl, M6 X 1.00 X 16, Ss	1
16	07515	(10372394-	) Washer, Lock, Int, 0.25, Ss	1
17	1035469	(10372394-	) Fitting, Plstc, Bm12 [Sight Tube]	1
18	48732	(10372394-	) Screw, Pan, Phl, M6 X 1.00 X 10, Ss	2
19	07515	(10372394-	) Washer, Lock, Int, 0.25, Ss	2
20	01684	(10372394-	) Washer, Flat, 0.27b 0.69d .05, Ss	2
21	1013523	(10372394-	)● Stand-Off, Wir, M6, 18 Hex, 20l, Insul	1
22	1012011	(10372394-	) Bracket, Hsng, Cntrl [T3]	1
23	1020341	(10372394-	) Screw, Hex, M8 X 1.25 X 20, Ss, Sems	6
24	1034731	(10372394-	) Screw, Hex, M6 X 1.00 X 16, Sems, Ss	4
∇	25	9006229	(10372394-)● Harness Kit, Main, Push [T3 Na]	1
▲	26	1016040	(10372394-)● Fuse, Blade, 25a, 32vdc	1
▲	27	1016041	(10372394-)● Fuse, Blade, 30a, 32vdc	1
∇	25	9006227	(10372394-)● Harness Kit, Main, Push [T3 Mid Emc] (Australian Model)	1
▲	26	1016040	(10372394-)● Fuse, Blade, 25a, 32vdc	1
▲	27	1016041	(10372394-)● Fuse, Blade, 30a, 32vdc	1
∇	28	1013644	(10372394-)● Harness [Fast Option] (Fast Model)	1
▲	29	1016039	(10372394-)● Fuse, Blade, 7.5a, 32vdc	1
∇	28	1048126	(10378531-)● Harness Assy, Wire [T3 Ec-H2o, P3] (ec-H2O Model)	1
▲	29	1047470	(10378531-)● Fuse, Blade, 10a, 32vdc, Red	1
	30	1015570	(10372394-) Bracket, Spring, Balancer, Bail	1
	31	1015826	(10372394-) Plate, Screw, Bail	1
	32	1013705	(10372394-) Plate, Thread, Switch, M3 Nut, 96hr PI	1
	33	1013364	(10372394-) Bracket, Switch, Bail	1
	34	41578	(10372394-) Washer, Flat, 06, Ss	4
	35	02938	(10372394-) Washer, Lock, Int, 08, Ss	2
	36	1012568	(10372394-)● Switch, Snap, 10a, Short	1
	37	1042062	(10372394-) Screw, Hex, M3 X 0.5 X 25, Ss	2

∇ ASSEMBLY

▲ INCLUDED IN ASSEMBLY

● RECOMMENDED STOCK ITEMS

COMPONENT PANEL GROUP, BRUSH ASSIST MODEL



## COMPONENT PANEL GROUP, BRUSH ASSIST MODEL

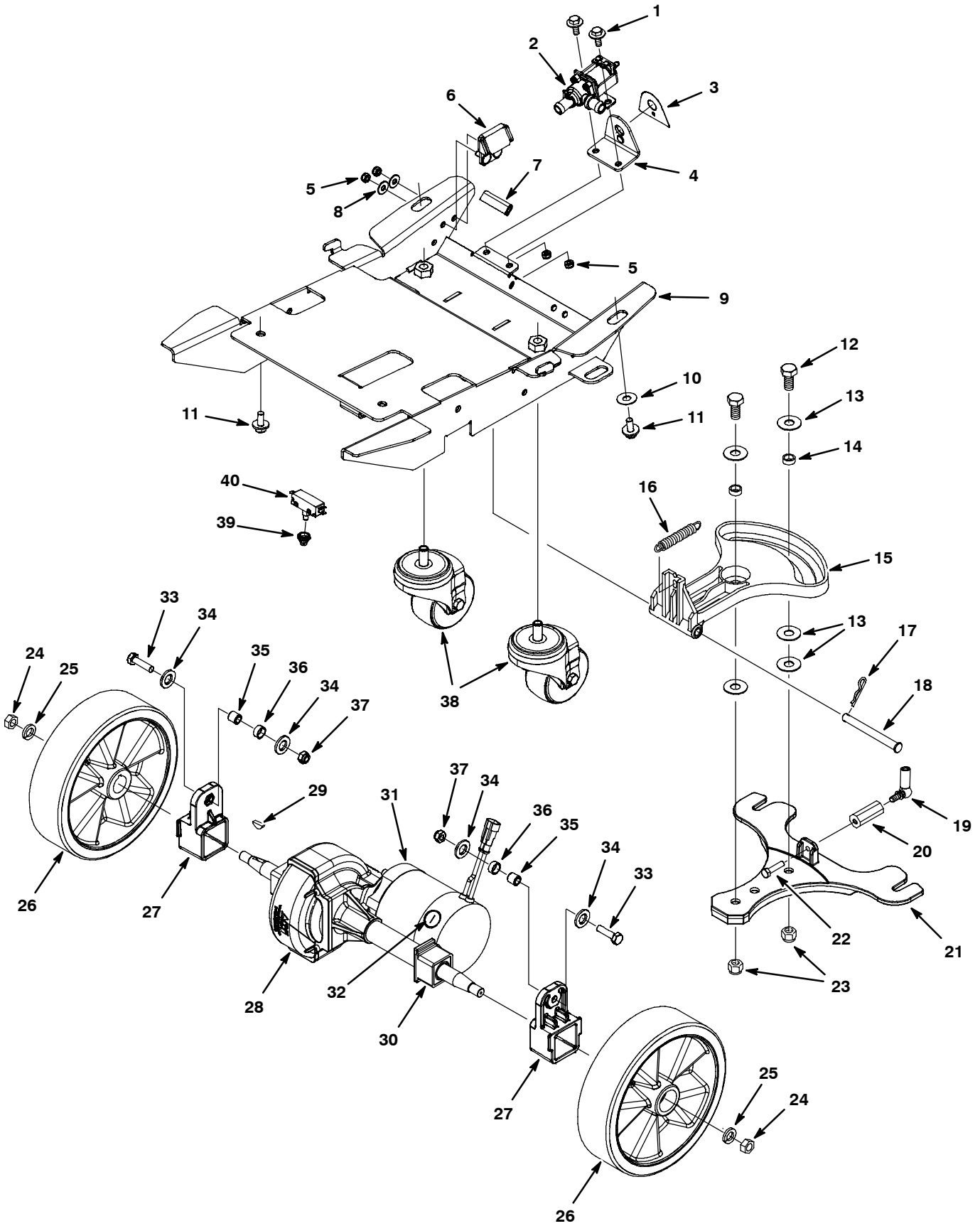
Ref.	Part No.	Serial Number	Description	Qty.	
1	09739	(10372394-	) Nut, Hex, Lock, M5 X 0.80, NI, Ss	5	
2	01683	(10372394-	) Washer, Flat, 10, Ss	7	
3	1038490	(10372394-	)● Relay, 24vdc, 100a, No [Trombetta]	1	
4	1011282	(10372394-	)● Gauge, Hourmeter, 12/60 Vdc [Ret Mount]	1	
5	1035339	(10372394-	)● Circuitbreaker, 37.0a	1	
6	1012134	(10372394-	) Panel, Cntrl, Lower	1	
7	1016628	(10372394-	) Label, Panl, Instmt, Lower [T3/T3e/Ss3]	1	
7	1049998	(10378531-	) Label, Console, Lower Ec-H2o [T3 Na/Aej] (ec-H2O Model)	1	
8	02938	(10372394-	) Washer, Lock, Int, 08, Ss	4	
9	391403	(10372394-	) Screw, Pan, Phl, M4 X 0.70 X 8, Ss	4	
10	130787	(10372394-	)● Switch, Rocker, Spdt (Fast & ec-H2O Model)	1	
▽	11	1011402	(10372394-	)● Switch, Key	1
▲	12	1017696	(10372394-	)● Key Set, Replmt [F/ Keyswitch 1011402]	1
13	1041822	(10378531-	)● Light, Panel, Mgt, .312" Dia. (ec-H2O Model)	1	
14	1012216	(10372394-	)● Relay, 24vdc, 070a, Spst No, Plug-In	1	
15	1012216	(10372394-	)● Relay, 24vdc, 070a, Spst No, Plug-In (Fast Model)	1	
16	01683	(10372394-	) Washer, Flat, 10, Ss (Fast Model)	1	
17	09739	(10372394-	) Nut, Hex, Lock, M5 X 0.80, NI, Ss (Fast Model)	1	
18	1012747	(10372394-	) Balljoint, M06 X 1.0 Fem, M06 X 1.0 Mal	2	
19	07785	(10372394-	) Nut, Hex, Std, M6 X 1.00, Ss	2	
20	1013479	(10372394-	) Cable, Glv 3.18mmd 0422l M6/ M6	1	
21	09011	(10372394-	) Screw, Hex, M8 X 1.25 X 30, Ss	1	
22	1016331	(10372394-	) Washer, Flat, 0.34b 1.25d .11, Ss	1	
23	1013397	(10372394-	) Washer, Flat, M13 X 30 X 0.8, Nyl	2	
24	1014336	(10372394-	) Sleeve, P/M, 8.40b 12.60d 14.5l, PI	1	
25	1013329	(10372394-	) Lever Wldt, Sqge	1	
26	1016895	(10372394-	)● Cap, Handle, Sqge Lift	1	
27	08712	(10372394-	) Nut, Hex, Lock, M6 X 1.00, NI, Ss	1	
28	1042062	(10372394-	) Screw, Hex, M3 X 0.5 X 25, Ss	2	
29	41578	(10372394-	) Washer, Flat, 06, Ss	6	
30	1012850	(10372394-	) Bracket Wldt, Lever, Sqge	1	
31	1034731	(10372394-	) Screw, Hex, M6 X 1.00 X 16, Sems, Ss	2	
32	02938	(10372394-	) Washer, Lock, Int, 08, Ss	2	
33	579211	(10372394-	) Nut, Hex, Lock, M3 X 0.50, NI, Ss	2	
34	1012568	(10372394-	)● Switch, Snap, 10a, Short	1	
35	08713	(10372394-	) Nut, Hex, Lock, M8 X 1.25, NI, Ss	1	
36	1015459	(10372394-	) Spring, Lever, Sqge	1	
37	43952	(10372394-	) Washer, Lock, Int, 0.31, Ss	1	

▽ ASSEMBLY

▲ INCLUDED IN ASSEMBLY

● RECOMMENDED STOCK ITEMS

WHEEL GROUP, DRIVE MODEL





## WHEEL GROUP, DRIVE MODEL

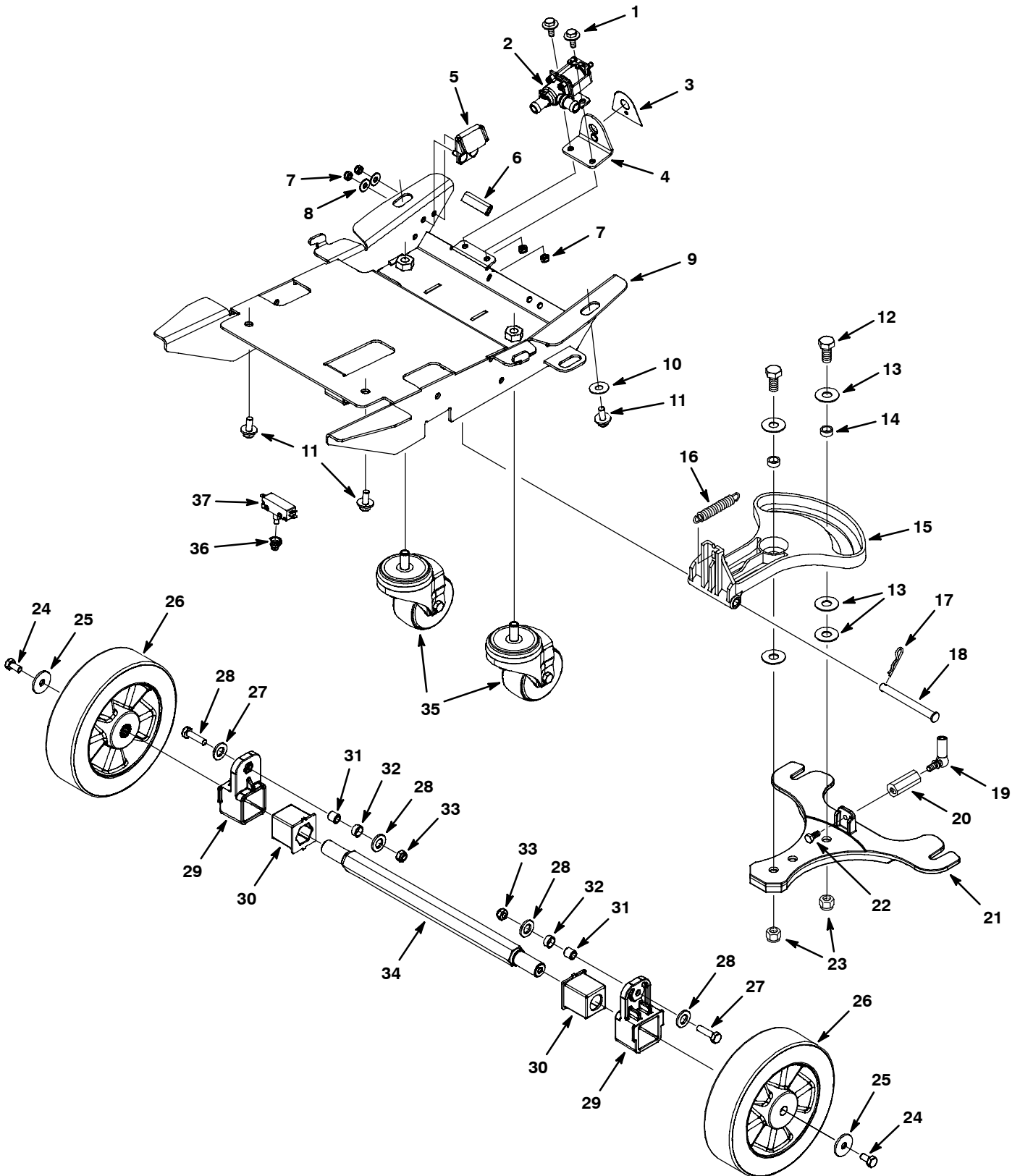
Ref.	Part No.	Serial Number	Description	Qty.
	1	1034731	(10372394- ) Screw, Hex, M6 X 1.00 X 16, Ss, Sems	2
▽	2	1016595	(10372394- )● Valve, 1/4-20 [Liq Dispensing]	1
▲	614265	(10372394- )● Valve Kit, Water [Viton Diaphram]	1	
	3	1014156	(10372394- ) Label, Opertnl, Lower, Soltn Flow	1
	4	1031714	(10372394- ) Bracket, Mtg, Valve, Soltn [T3]	1
	5	08712	(10372394- ) Nut, Hex, Lock, M6 X 1.0, Ss, NI	4
	6	1013946	(10372394- ) Bracket, Locking, Pedal, Foot Ylw	1
	7	1034551	(10372394- ) Trim, Plstc, Edge, .12 X .56 X 1.75	1
	8	01684	(10372394- ) Washer, Flat, 0.25 Ss	2
	9	1023428	(10372394- ) Frame Wldt, Mach, Blk	1
	10	1016331	(10372394- ) Washer, Flat, 0.34b 1.25d .11, Ss	2
	11	1020341	(10372394- ) Screw, Hex, M8 X 1.25 X 20, Ss, Sems	4
	12	12309	(10372394- ) Screw, Hex, M12 X 1.75 X 30, Ss	2
	13	140045	(10372394- ) Washer, Flat, 0.51b 1.25d .06, Ss	5
	14	1013662	(10372394- ) Bushing, Sleeve, 12mm 16mm 6.5mml, Pm Yw	2
	15	1023389	(10372394- ) Bracket, Sqge, Lift, Mold Blk, Nyl	1
	16	1008721	(10372394- ) Spring, Extn, 0.75od 0.09wir 03.5l	1
	17	44906	(10372394- ) Pin, Cotter, Hair, 0.69d .092 Wir	1
	18	1013610	(10372394- ) Pin, Clevis, 10mmd X 100mml	1
	19	1012747	(10372394- )● Balljoint, M6 X 1.0 Fem, M6 X 1.0 Mal	1
	20	1002078	(10372394- ) Spacer, 0.50hex X 1.25l, M6 Thread	1
	21	1026265	(10372394- ) Bracket, Mtg, Sqge, Cast, Alm	1
	22	1034731	(10372394- ) Screw, Hex, M6 X 1.00 X 16, Sems, Ss	1
	23	09741	(10372394- ) Nut, Hex, Lock, M12 X 1.75, NI, Ss	2
	24	07788	(10372394- ) Nut, Hex, Std, M12 X 1.75, Ss	2
	25	140024	(10372394- ) Washer, Lock, Split, 0.50, Ss	2
	26	1039655	(10372394- )● Wheel, Scrbr, 198.00mm, W/ Taper [T3]	2
	27	1028292	(10372394- ) Adapter, Mtg, Axle, Alm	2
▽	28	1039475	(10372394- )● Transaxle, Ele, 24vdc, 112rpm, Pkrd,Dfma	1
▲	1017782	(10372394- )● Coupling Kit, Transaxle, Replmt [11057]	1	
▲	29	1021167	(10372394- ) Key, Woodruff, 5mm	2
▲	30	612880	(10372394- )● Sleeve, Transaxle, Replmt	2
▲▽	31	1019916	(10372394- )● Motor, Transaxle, 24vdc, Replmt	1
▲▲	32	614166	(10372394- )● Brush Kit, Carbon [Qty 4]	1
	33	09011	(10372394- ) Screw, Hex, M8 X 1.25 X 30, Ss	2
	34	1013936	(10372394- ) Washer, Flat, 0.51b 0.94d .10, Nyl	4
	35	222460	(10372394- ) Sleeve, P/M, 0.31b 0.50d 0.5l [430ss]	2
	36	630188	(10372394- ) Bearing, Journal, .50id X .25l	2
	37	08713	(10372394- ) Nut, Hex, Lock, M8 X 1.25, NI, Ss	2
	38	1019008	(10372394- )● Caster, Swivel, 80mmd, M12 X 25 Clr Pl	2
	39	1035711	(10372394- )● Boot, Switch, Hex Nut, .38-32 Thd	1
	40	606292	(10372394- )● Switch, Push, Actuator, 20a	1
	N/S	1019397	(10372394- )● Harness, Frame, Drive [T3 - Na]	1

▽ ASSEMBLY

▲ INCLUDED IN ASSEMBLY

● RECOMMENDED STOCK ITEMS

WHEEL GROUP, BRUSH ASSIST MODEL



## WHEEL GROUP, BRUSH ASSIST MODEL

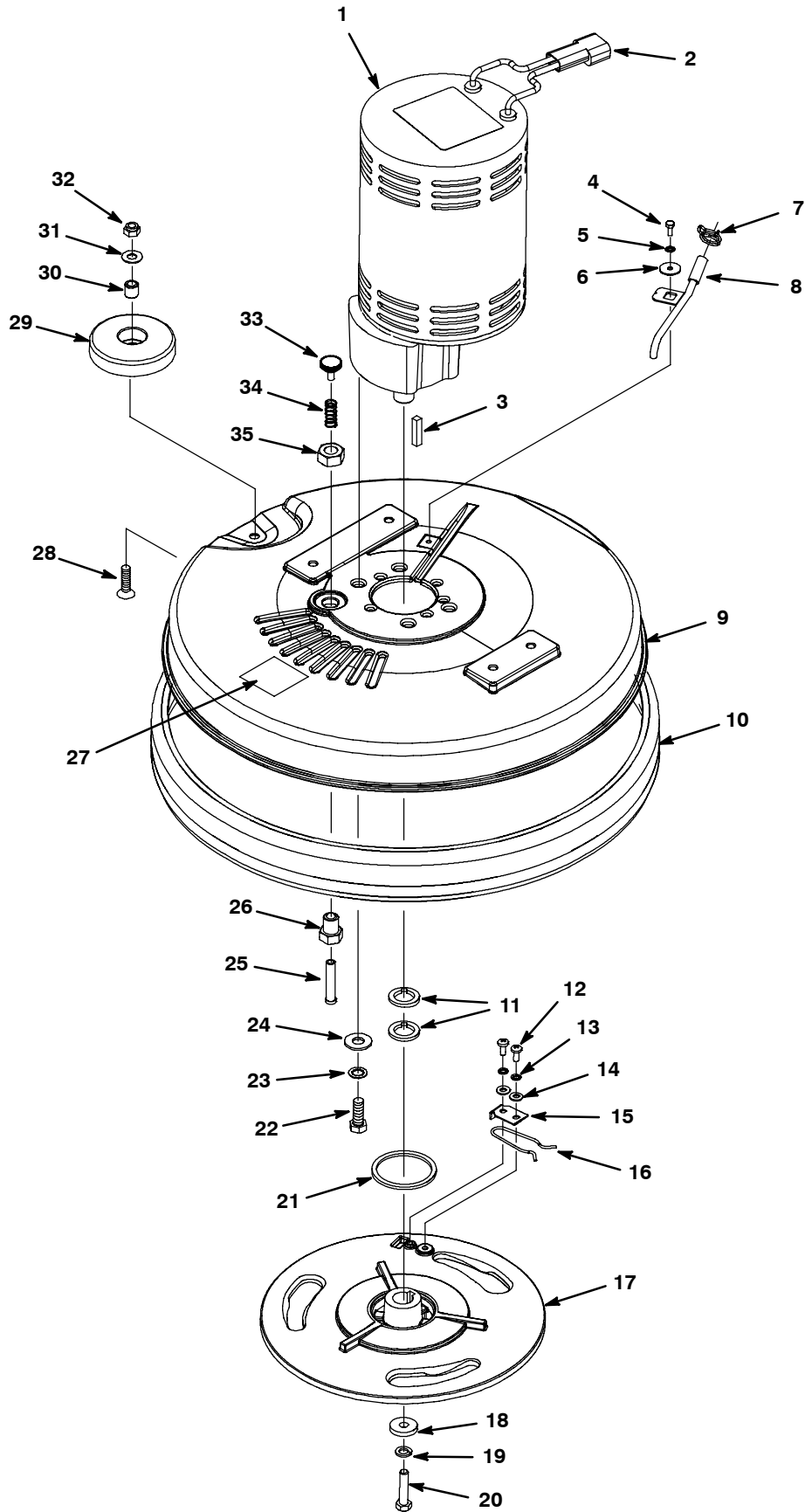
Ref.	Part No.	Serial Number	Description	Qty.
	1	1034731	(10372394- ) Screw, Hex, M6 X 1.00 X 16, Ss, Sems	2
▽	2	1016595	(10372394- )● Valve, .25-20 [Liq Dispensing]	1
▲	614265	(10372394- )● Valve Kit, Water [Viton Diaphragm]	1	
	3	1014156	(10372394- ) Label, Opertnl, Lower, Soltn Flow	1
	4	1012108	(10372394- ) Bracket, Mtg, Valve, Soltn	1
	5	1013946	(10372394- ) Bracket, Locking, Pedal, Foot, Yel Pl	1
	6	1034551	(10372394- ) Trim, Plstc, Edge, .12 X .56 X 1.75	1
	7	08712	(10372394- ) Nut, Hex, Lock, M6 X 1.00, Ss, NI	4
	8	01684	(10372394- ) Washer, Flat, 0.27b 0.69d .05, Ss	2
	9	1023428	(10372394- ) Frame Wldt, Mach, Blk, [T3]	1
	10	1016331	(10372394- ) Washer, Flat, 0.34b 1.25d .11, Ss	2
	11	1020341	(10372394- ) Screw, Hex, M8 X 1.25 X 20, Ss, Sems Sq	4
	12	12309	(10372394- ) Screw, Hex, M12 X 1.75 X 30, Ss	2
	13	140045	(10372394- ) Washer, Flat, 0.51b 1.25d .06, Ss	5
	14	1013662	(10372394- ) Bushing, Sleeve, 12mmb 16mmd 7mml,Pm Yel	2
	15	1023389	(10372394- ) Bracket, Sqge, Lift, Mold Blk, Nyl [T3]	1
	16	1008721	(10372394- ) Spring, Extn, 0.75od 0.09wir 03.5l	1
	17	44906	(10372394- ) Pin, Cotter, Hair, 0.69d .092 Wir	1
	18	1013610	(10372394- ) Pin, Clevis, 10mmd X 100mml	1
	19	1012747	(10372394- )● Balljoint, M06 X 1.0 Fem, M06 X 1.0 Mal	1
	20	1002078	(10372394- ) Spacer, .50x X 1.25l, M6 Thread	1
	21	1026265	(10372394- ) Bracket, Mtg, Sqge, [T3] Cast, Alm	1
	22	1034731	(10372394- ) Screw, Hex, M6 X 1.00 X 16, Ss, Sems	1
	23	09741	(10372394- ) Nut, Hex, Lock, M12 X 1.75, NI, Ss	2
	24	1020341	(10372394- ) Screw, Hex, M8 X 1.25 X 20, Ss, Sems	2
	25	1016331	(10372394- ) Washer, Flat, 0.34b 1.25d .11, Ss	2
	26	1013248	(10372394- )● Wheel, Scrbr, 198.00mm, W/ Brg	2
	27	09011	(10372394- ) Screw, Hex, M8 X 1.25 X 30, Ss	2
	28	1013936	(10372394- ) Washer, Flat, 0.51b 0.94d .10, Nyl	4
	29	1028292	(10372394- ) Adapter, Mtg, Axle, Alm [T3]	1
	30	1028381	(10372394- )● Grommet, Axle [Tpu, T3 Push]	1
	31	222460	(10372394- ) Sleeve, P/M, 0.31b 0.50d 0.5l [430ss]	2
	32	630188	(10372394- ) Bearing, Journal, .50id X .25l	2
	33	08713	(10372394- ) Nut, Hex, Lock, M8 X 1.25, NI, Ss	2
	34	1028382	(10372394- )● Axle, Wheel, Hex, Clr Zn [T3 Push]	1
	35	1026345	(10372394- )● Caster, Swivel, 80mmd, M12 X 25, Clr Pl	2
	36	1035711	(10372394- )● Boot, Switch, Hex Nut, .38-32 Thd	1
	37	606292	(10372394- )● Switch, Push, Actuator, 20a	1

▽ ASSEMBLY

▲ INCLUDED IN ASSEMBLY

● RECOMMENDED STOCK ITEMS

SCRUB HEAD GROUP, 43 cm (17 in) MODEL



## SCRUB HEAD GROUP, 43 cm (17 in) MODEL

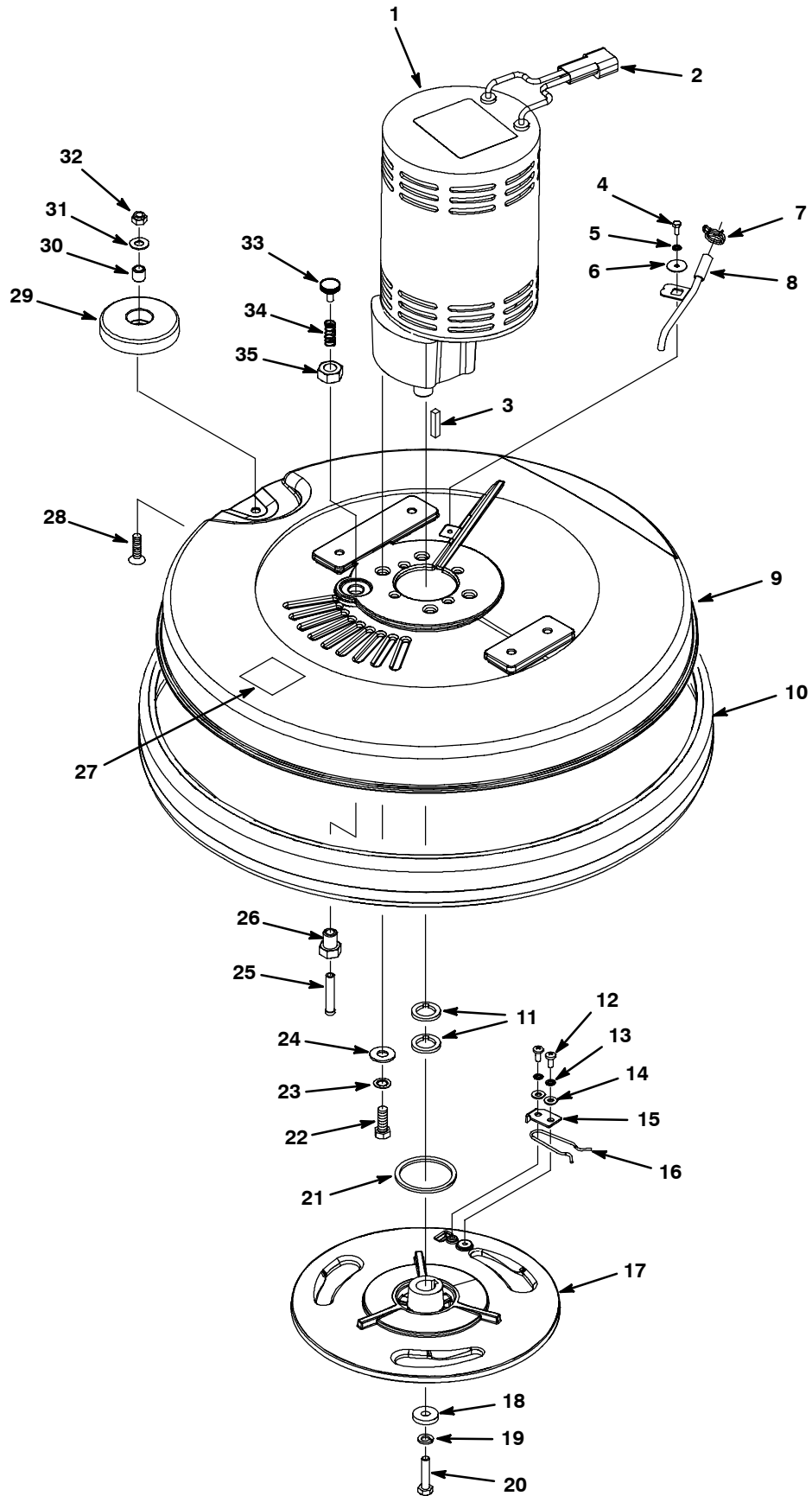
Ref.	Part No.	Serial Number	Description	Qty.
▽	1	1028301	(10372394- )● Motor, Ele, 24vdc 0200rpm 1.00hp Gear	1
▲▽		1038269	(10372394- )● Brush, Card, Assy, Imperial, 1.00hp	1
▲▲		190970	(10372394- )● Vr, Brush, Carbon, Motor, Ele	4
▲		1038268	(10372394- )● Gearbox, Motor, Imperial, 1.00hp	1
▲		607798	(10372394- )● Terminal Mal Brush Motor Leads	2
▲	2	607797	(10372394- )● Connector, Mal [Packard]	1
▲	3	00930	(10372394- )● Key, Sq, 0.25 X 0.25, 1.50l	1
	4	1020234	(10372394- ) Screw, Hex, M4 X 0.7 X 10, Ss	1
	5	02938	(10372394- ) Washer, Lock, Int, 08, Ss	1
	6	1009168	(10372394- ) Washer, Flat, 0.17b 0.75d .04, Ss	1
	7	607775	(10372394- ) Clamp, Hose, Wir, .63 - .66, Blk	1
	8	1016155	(10372394- ) Tube Wldt, Supply, Water	1
	9	1037375	(10372394- ) Housing, Head, 43cm, Mach	1
	10	1011368	(10372394- )● Bumper, Head, 43cm, W/ Bristle Skirt	1
	11	621471	(10372394- ) Spacer, 0.75b 1.12d 0.12l,	2
	12	09200	(10372394- ) Screw, Pan, M5 X 0.8 X 12, Ss	2
	13	07514	(10372394- ) Washer, Lock, Int, #10, Ss	2
	14	01683	(10372394- ) Washer, Flat, 0.22b 0.50d .05, Ss [#10]	2
	15	1011201	(10372394- )● Plate, Clamp, Brush	1
	16	1013188	(10372394- )● Clip, Spring, Drive Plate Yel Pl	1
	17	1054019	(10372394- )● Driver, Pad, 3-Lug, Alm, 19.0b[90lbs-Dp]	1
	18	1028796	(10372394- ) Washer, Flat, 0.33b 1.00d .18	1
	19	140015	(10372394- ) Washer, Lock, Split, 0.31, Ss	1
	20	1035038	(10372394- ) Screw, Hex, .31-18 X 1.38, Ss, NI	1
	21	1016426	(10372394- ) Ring, Water, Containment	1
	22	69225	(10372394- ) Screw, Hex, .38-16 X 1.00, Ss	4
	23	43953	(10372394- ) Washer, Lock, Int, 0.38 Ss	4
	24	01686	(10372394- ) Washer, Flat, 0.44b 1.00 .08, Ss	4
	25	1037399	(10372394- ) Pin, Stop, 8.3mmd X 42mml	1
	26	605825	(10372394- ) Screw, Stop, Head Pin	1
	27	578769	(10372394- ) Label, Moving Parts	1
	28	79506	(10372394- ) Screw, Flt, M8 X 1.25 X 30, Ss	1
	29	1010560	(10372394- )● Wheel, Bmpr, 80d X 25w, Non-Marking	1
	30	222460	(10372394- ) Sleeve, P/M, 0.31b 0.50d 0.5l	1
	31	140027	(10372394- ) Washer, Flat, 0.35b 0.75d .04, Ss	1
	32	08713	(10372394- ) Nut, Hex, Lock, M8 X 1.25, NI, Ss	1
	33	603012	(10372394- )● Knob, Rnd, 19.0d M6 X 12, Stud, Plstc,PI	1
	34	1037400	(10372394- ) Spring, Cmpr, .42od, .04wir, 1.0l, Pl,Mw	1
	35	1037470	(10372394- ) Nut, Hex, M14 X 2.00, Ss	1

▽ ASSEMBLY

▲ INCLUDED IN ASSEMBLY

● RECOMMENDED STOCK ITEMS

SCRUB HEAD GROUP, 50 cm (20 in) MODEL



## SCRUB HEAD GROUP, 50 cm (20 in) MODEL

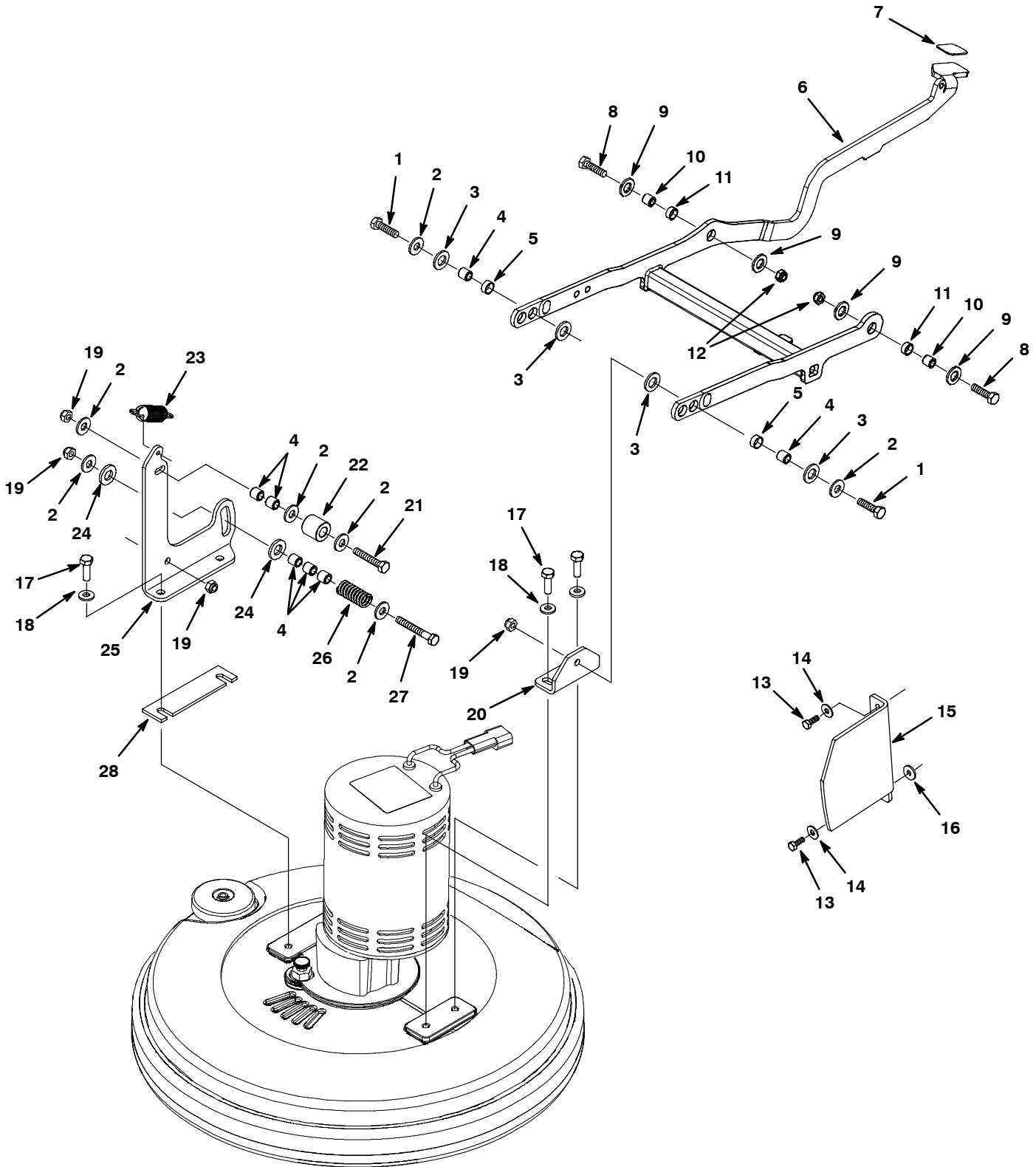
Ref.	Part No.	Serial Number	Description	Qty.
▽	1	1028301	(10372394- )● Motor, Ele, 24vdc 0200rpm 1.00hp Gear	1
▲▽		1038269	(10372394- )● Brush, Card, Assy, Imperial, 1.00hp	1
▲▲		190970	(10372394- )● Vr, Brush, Carbon, Motor, Ele	4
▲		1038268	(10372394- )● Gearbox, Motor, Imperial, 1.00hp	1
▲		607798	(10372394- )● Terminal Mal Brush Motor Leads	2
▲	2	607797	(10372394- )● Connector, Mal [Packard]	1
▲	3	00930	(10372394- )● Key, Sq, 0.25 X 0.25, 1.50l	1
	4	1020234	(10372394- ) Screw, Hex, M4 X 0.7 X 10, Ss	1
	5	02938	(10372394- ) Washer, Lock, Int, 08, Ss	1
	6	1009168	(10372394- ) Washer, Flat, 0.17b 0.75d .04, Ss	1
	7	607775	(10372394- ) Clamp, Hose, Wir, .63 - .66, Blk	1
	8	1016155	(10372394- ) Tube Wldt, Supply, Water	1
	9	1036813	(10372394- ) Housing, Head, 50cm, Die Cstg	1
	10	1011316	(10372394- )● Bumper, Head, W/ Bristle Skirt	1
	11	621471	(10372394- ) Spacer, 0.75b 1.12d 0.12l	2
	12	09200	(10372394- ) Screw, Pan, M5 X 0.8 X 12, Ss	2
	13	07514	(10372394- ) Washer, Lock, Int, #10, Ss	2
	14	01683	(10372394- ) Washer, Flat, 0.22b 0.50d .05, Ss [#10]	2
	15	1011201	(10372394- )● Plate, Clamp, Brush	1
	16	1013188	(10372394- )● Clip, Spring, Drive Plate Yel Pl	1
	17	1036525	(10372394- )● Driver, Pad, 3-Lug, Alm, 19.0b[90lbs-Dp]	1
	18	1028796	(10372394- ) Washer, Flat, 0.33b 1.00d .18	1
	19	140015	(10372394- ) Washer, Lock, Split, 0.31, Ss	1
	20	1035038	(10372394- ) Screw, Hex, .31-18 X 1.38, Ss, NI	1
	21	1016426	(10372394- ) Ring, Water, Containment	1
	22	69225	(10372394- ) Screw, Hex, .38-16 X 1.00, Ss	4
	23	43953	(10372394- ) Washer, Lock, Int, 0.38 Ss	4
	24	01686	(10372394- ) Washer, Flat, 0.44b 1.00 .08, Ss	4
	25	1037399	(10372394- ) Pin, Stop, 8.3mmd X 42mml	1
	26	605825	(10372394- ) Screw, Stop, Head Pin	1
	27	578769	(10372394- ) Label, Moving Parts	1
	28	79506	(10372394- ) Screw, Flt, M8 X 1.25 X 30, Ss	1
	29	1010560	(10372394- )● Wheel, Bmpr, 80d X 25w, Non-Marking	1
	30	222460	(10372394- ) Sleeve, P/M, 0.31b 0.50d 0.5l	1
	31	140027	(10372394- ) Washer, Flat, 0.35b 0.75d .04, Ss	1
	32	08713	(10372394- ) Nut, Hex, Lock, M8 X 1.25, NI, Ss	1
	33	603012	(10372394- )● Knob, Rnd, 19.0d M6 X 12, Stud, Plstc,PI	1
	34	1037400	(10372394- ) Spring, Cmpr, .42od, .04wir, 1.0l, Pl,Mw	1
	35	1037470	(10372394- ) Nut, Hex, M14 X 2.00, Ss	1

▽ ASSEMBLY

▲ INCLUDED IN ASSEMBLY

● RECOMMENDED STOCK ITEMS

SCRUB HEAD LIFT GROUP





## SCRUB HEAD LIFT GROUP

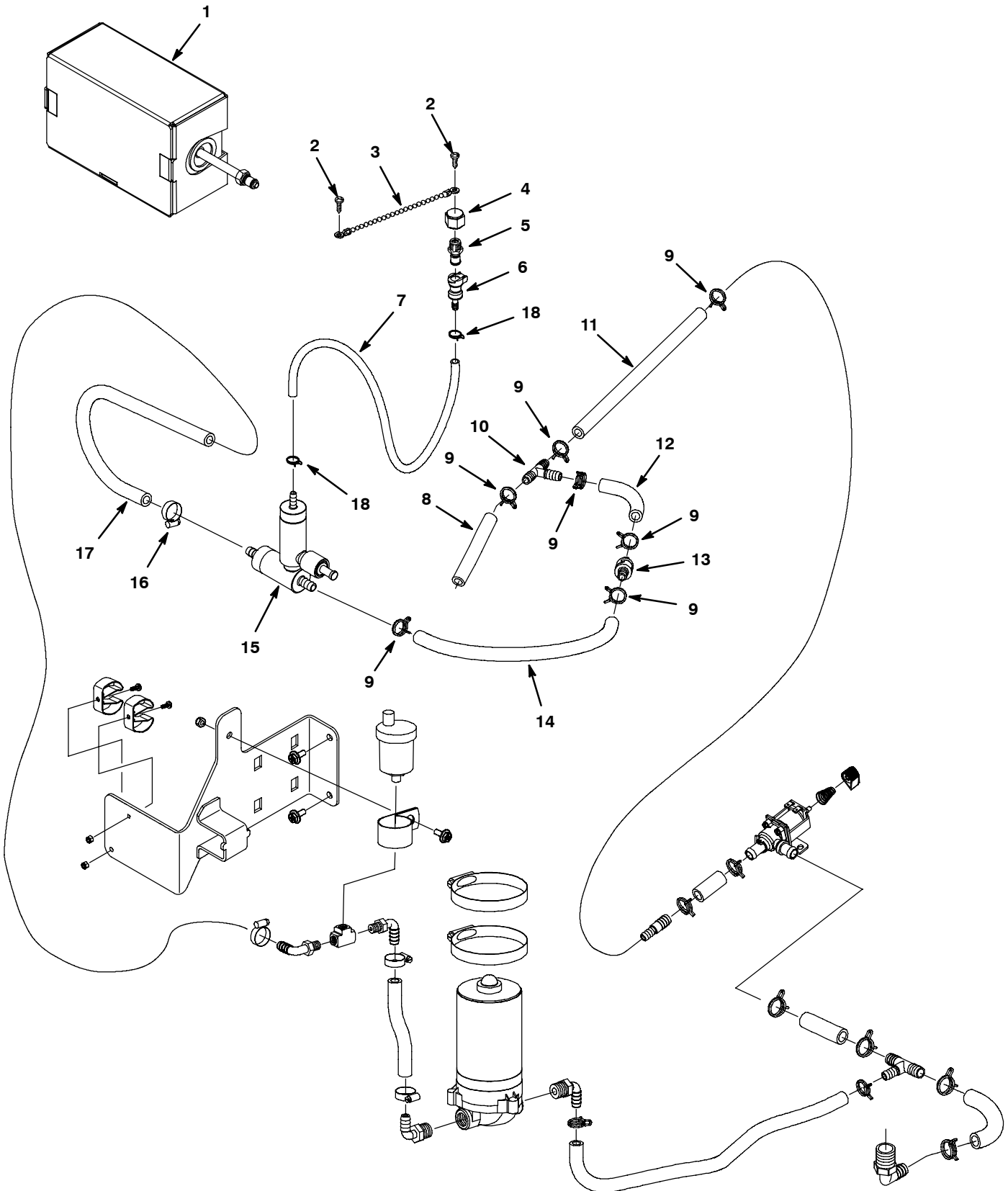
Ref.	Part No.	Serial Number	Description	Qty.	
1	09011	(10372394-	) Screw, Hex, M8 X 1.25 X 30, Ss	2	
2	01685	(10372394-	) Washer, Flat, 0.38b 0.88d .08, Ss	7	
3	1013936	(10372394-	) Washer, Flat, 0.51b 0.94d .10, Nyl	4	
4	222460	(10372394-	) Sleeve, P/M, 0.31b 0.50d 0.5l	7	
5	630188	(10372394-	) Bearing, Journal, .50id X .25l	2	
▽	6	1037297	(10372394-	) Lift Assy, Head, Sngl Disk, Aftmkt	1
▲	7	1014283	(10372394-	)● Pad, Adh, Non-Slip, 28mm X 36mm, Blk	1
▲	8	09011	(10372394-	) Screw, Hex, M8 X 1.25 X 30, Ss	2
▲	9	1013936	(10372394-	) Washer, Flat, 0.51b 0.94d .10, Nyl	4
▲	10	222460	(10372394-	) Sleeve, P/M, 0.31b 0.50d 0.5l	2
▲	11	630188	(10372394-	) Bearing, Journal, .50id X .25l	2
▲	12	08713	(10372394-	) Nut, Hex, Lock, M8 X 1.25, NI, Ss	2
	13	11329	(10372394-	) Screw, Hex, M6 X 1.0 X 16, Ss, NI	2
	14	01684	(10372394-	) Washer, Flat, 0.25 Ss	1
	15	1015460	(10372394-	) Bracket, Guide, Head, [43cm]	1
	15	1012484	(10372394-	) Bracket, Guide, Head, [50cm]	1
	16	1028796	(10372394-	) Washer, Flat, 0.33b 1.00d .18, Stl, PI	1
	17	12333	(10372394-	) Screw, Hex, M8 X 1.25 X 25, Ss, NI	4
	18	69461	(10372394-	) Washer, Flat, 0.38b 0.88d .12, Stl, PI	4
	19	08713	(10372394-	) Nut, Hex, Lock, M8 X 1.25, NI, Ss	4
	20	1015470	(10372394-	) Bracket, Mtg, Head	1
	21	222505	(10372394-	) Screw, Hex, M8 X 1.25 X 45, Ss	1
	22	1014020	(10372394-	)● Roller, Lift, Dual Disk Head	1
	23	1032420	(10372394-	) Spring, Extn, 0.85od 0.09wir 02.9l (43cm Model)	1
	23	1031776	(10372394-	) Spring, Extn, 0.75od 0.09wir 03.2l (50cm Model)	1
	24	140127	(10372394-	) Bearing, Thrust, 0.51b X 1.0 X .12, Brz	2
	25	1012323	(10372394-	) Bracket, Mtg, Head, Rh	1
	26	140430	(10372394-	) Spring, Cmpr, .72od X 1.69 L	1
	27	1014163	(10372394-	) Screw, Hex, M8 X 1.25 X 60, FI, Ss	1
	28	1032791	(10372394-	) Spacer, Head, 4mm (Brush Assist Model)	1
N/S	130773	(10372394-	) Tie, Cable, Nyl, 11.0l, .14w, 3.0 Max. D	1	

▽ ASSEMBLY

▲ INCLUDED IN ASSEMBLY

● RECOMMENDED STOCK ITEMS

SOLUTION GROUP, FaST MODEL

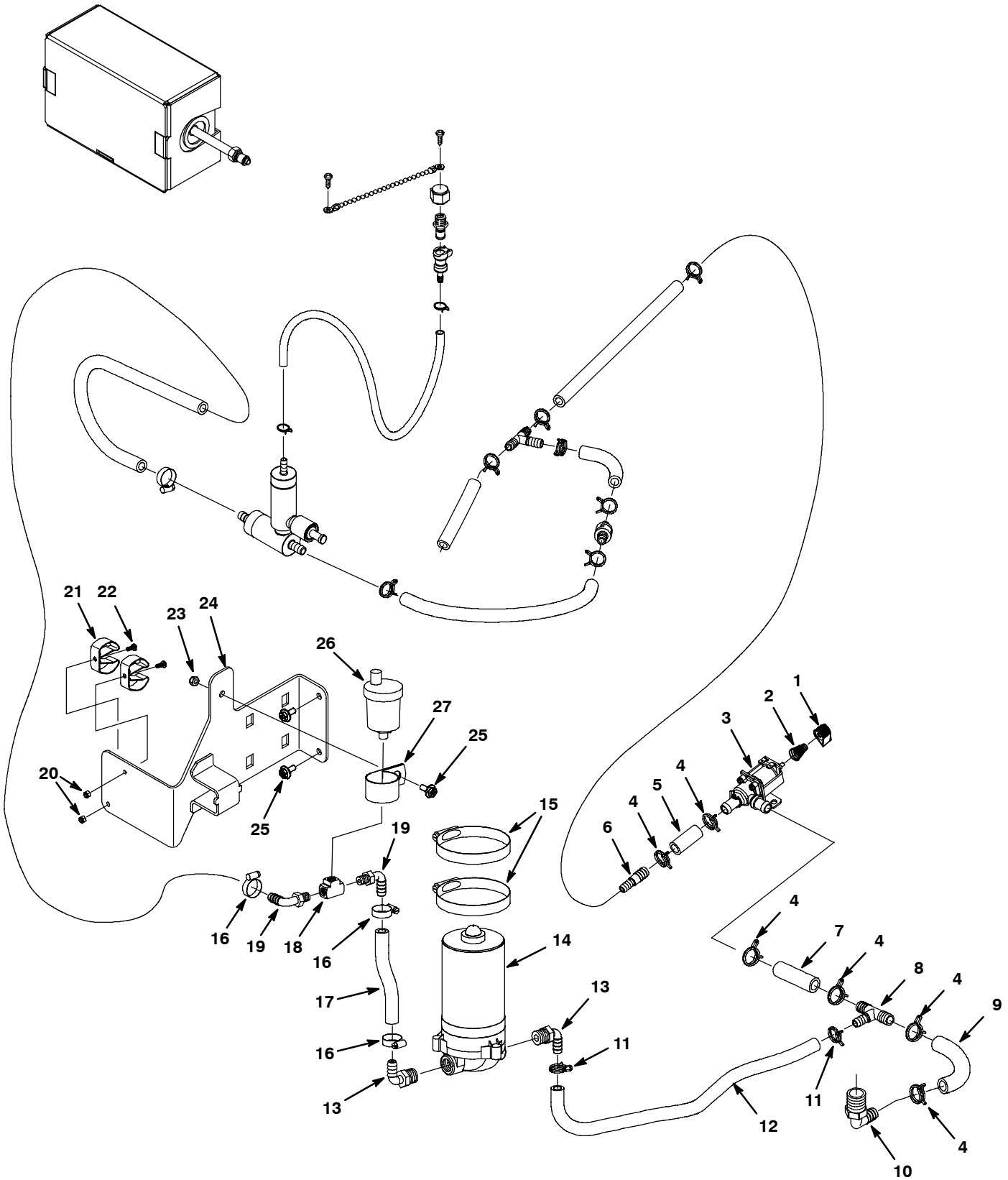


## SOLUTION GROUP, FaST MODEL

Ref.	Part No.	Serial Number	Description	Qty.
1	1017015	(10372394-	)● Detergent, Pkg, 2 Liter, Sgl [365]	1
1	1017022	(10372394-	)● Detergent, Pkg, 2 Liter, Sgl [665]	1
2	1018155	(10372394-	) Screw, Pan, M5 X 0.8 X16, Ss, Tcut	2
3	621443	(10372394-	) Chain, Ball, #10, 157mml, Ss	1
4	1005435	(10372394-	) Fitting, Plstc, Pipe, Cap, Pf04	1
5	1002899	(10372394-	)● Fitting, Plstc, Str, Pm04, Cplg, Mal	1
6	1002898	(10372394-	)● Fitting, Plstc, Str, Bm04, Cplg, Fem	1
7	613947	(10372394-	) Hose, Pvc, Clr, 0.25id 0.38od 026.0l	1
8	613446	(10372394-	) Hose, Pyu, Clr, 0.38id 0.62od 010.0l	1
9	607775	(10372394-	) Clamp, Hose, Wir, .63 - .66, Blk	7
10	160310	(10372394-	) Fitting, Plstc, Tee, Bm06/Bm06/Bm06	1
11	613451	(10372394-	) Hose, Pyu, Clr, 0.38id 0.62od 012.0l	1
12	606362	(10372394-	) Hose, Pyu, Clr, 0.38id 0.62od 006.5l	1
13	1015455	(10372394-	)● Valve, Check, 0005psi Bm06/Bm06	1
14	613442	(10372394-	) Hose, Pyu, Clr, 0.38id 0.62od 015.5l	1
15	9003906	(10372394-	)● FaST Kit, Injector, Ci [T3/Ss3 FaST II+] (See Breakdown)	1
16	54333	(10372394-	) Clamp, Hose, Wormdrive, 0.31-0.88d, .31w	1
17	613722	(10372394-	) Hose, Pvc, Brd, 0.38id 0.60od 021.0l,Clr	1
18	613735	(10372394-	) Clamp, Hose, Wir, .40 - .42, Yel	2

## ● RECOMMENDED STOCK ITEMS

SOLUTION GROUP, FaST MODEL - CONT'D



## SOLUTION GROUP, FaST MODEL - CONT'D

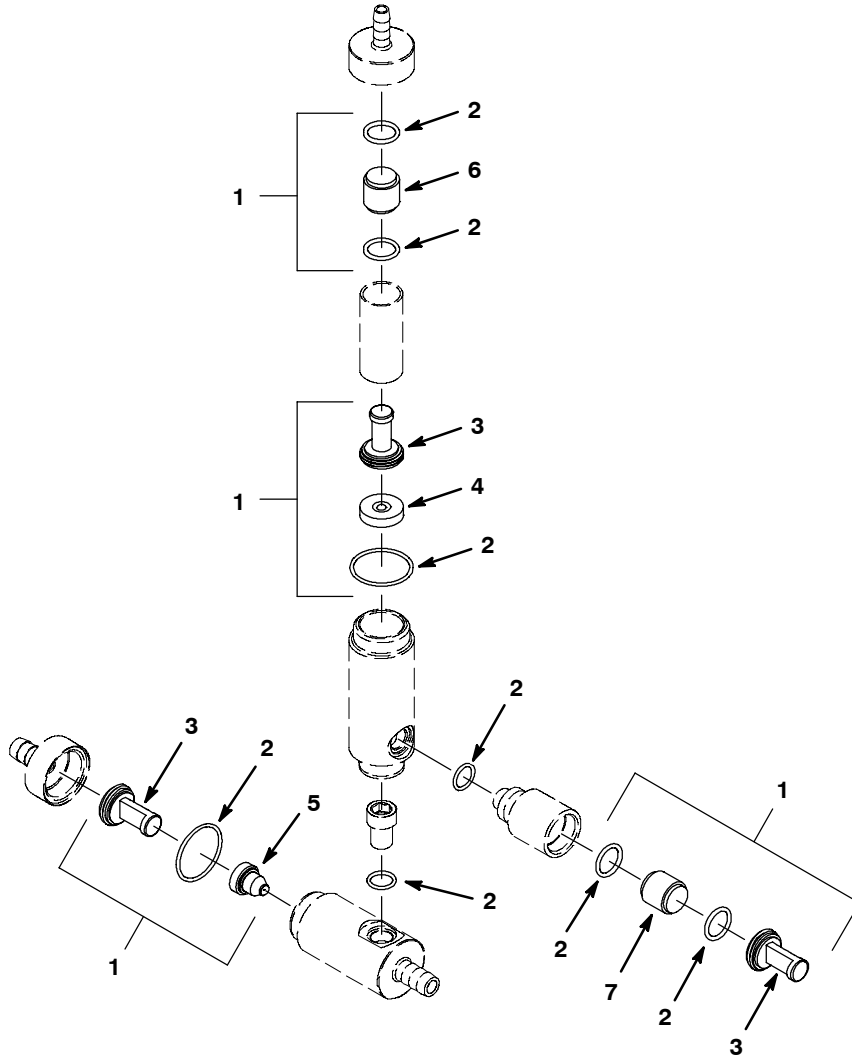
Ref.	Part No.	Serial Number	Description	Qty.	
1	1013442	(10372394-	)● Knob, Valve, Indicator, Blk	1	
2	1017091	(10372394-	)● Spring, Cmpr, 0.50od .04wir 00.8l	1	
▽	3	1016595	(10372394-	)● Valve, .25-20 [Liq Dispensing]	1
▲	614265	(10372394-	)● Valve Kit, Water [Viton Diaphragm]	1	
4	607776	(10372394-	) Clamp, Hose, Wir, .73 - .77, Silver	6	
5	1015071	(10372394-	) Hose, Afmkt, Pvc, Clr, 0.50id, 01ft	1	
6	612774	(10372394-	) Fitting, Plstc, Str, Bm06/Bm08	1	
7	613511	(10372394-	) Hose, Pvc, Clr, 0.50id 0.75od 002.5l	1	
8	630372	(10372394-	) Fitting, Plstc, Tee, Bm06/Bm08/Bm08, Br	1	
9	613517	(10372394-	) Hose, Pvc, Clr, 0.50id 0.75od 005.5l	1	
10	1013505	(10372394-	) Fitting, Plstc, E90, Bm08/Pm08, Nyl	1	
11	607775	(10372394-	) Clamp, Hose, Wir, .63 - .66, Blk	2	
12	613450	(10372394-	) Hose, Pyu, Clr, 0.38id 0.62od 024.0l	1	
13	1005630	(10372394-	) Fitting, Plstc, E90, Bm06/Pm06, Nyl	2	
14	1014282	(10372394-	)● Pump, Soltn, Ele, 24vdc, 60psi [Packard]	1	
15	43555	(10372394-	) Clamp, Hose, Wormdrive, 2.50-3.50d, .50w	2	
16	54333	(10372394-	) Clamp, Hose, Wormdrive, 0.31-0.88d, .31w	3	
17	613724	(10372394-	) Hose, Pvc, Brd, 0.38id 0.60od 010.0l,Clr	1	
18	150705	(10372394-	) Fitting, Brs, Tee, Pf02/Pf02/Pf02	1	
19	1005564	(10372394-	) Fitting, Plstc, E90, Bm06/Pm02, Nyl	2	
20	33932	(10372394-	) Nut, Hex, Lock, M4 X 0.70, Nl, Ss	2	
21	573073	(10372394-	) Clip, Grip, Hose, 1.00-1.38, Zn	2	
22	49697	(10372394-	) Screw, Pan, M4 X 0.7 X 10, Ss	2	
23	08712	(10372394-	) Nut, Hex, Lock, M6 X 1.00, Ss, Nl	1	
24	1037242	(10372394-	) Bracket Wldt, Mtg, Pump [Fast II+]	1	
25	1034731	(10372394-	) Screw, Hex, M6 X 1.00 X 16, Ss, Sems	3	
26	1017386	(10372394-	)● Valve, Vent, Air, Float Type	1	
27	53466	(10372394-	) Clamp, Cable, Stl, 1.50d X 1.00w, 1hole	1	

▽ ASSEMBLY

▲ INCLUDED IN ASSEMBLY

● RECOMMENDED STOCK ITEMS

9003906 FAST INJECTOR ASSEMBLY BREAKDOWN



9003906 FAST INJECTOR ASSEMBLY BREAKDOWN

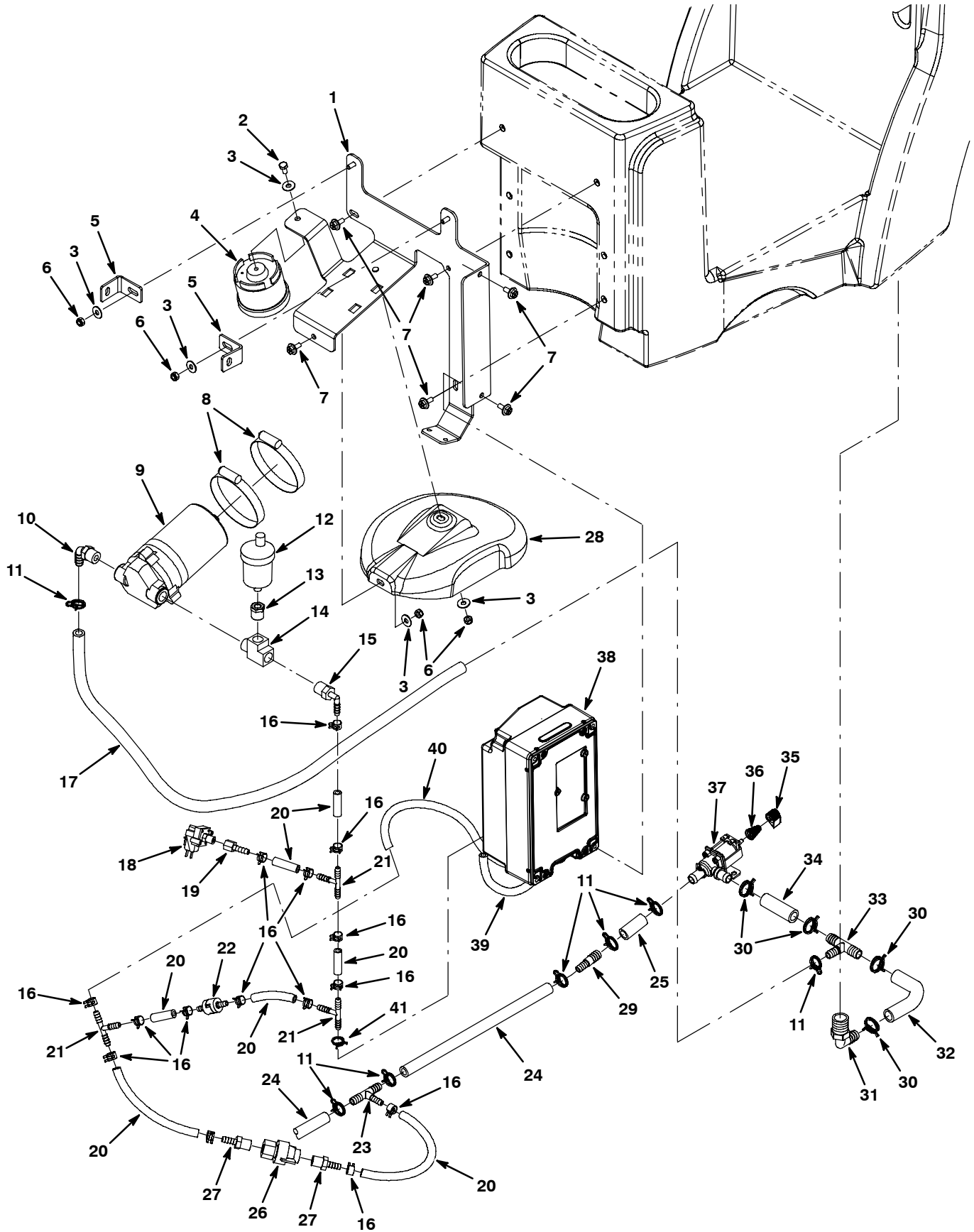
	Ref.	Part No.	Serial Number	Description	Qty.
▽		9003906	(10372394-	) FaST Kit, Injector, Ci [T3/Ss3 FaST II+]	1
▲	1	9003802	(10372394-	)● FaST Kit, Ci, Injector Rebuild [FaST II+]	1
▲	2	9003008	(10372394-	)● FaST Kit, Ci, Injector Seals [FaST II+]	1
▲	3	9003009	(10372394-	)● FaST Kit, Ci, Injector Filters [FaST II+]	1
▲	4	1039974	(10372394-	) Plate Assy, Orifice, 0.0065ld, Blk	1
▲	5	1039988	(10372394-	)● Orifice, Plug, .027	1
▲	6	1030444	(10372394-	)● Valve, Check, 0002psi, White, [FaST II+]	1
▲	7	1030441	(10372394-	)● Valve, Check, 0005psi, Brown, [FaST II+]	1

▽ ASSEMBLY

▲ INCLUDED IN ASSEMBLY

● RECOMMENDED STOCK ITEMS

SOLUTION GROUP, *ec-H2O* MODEL





SOLUTION GROUP, *ec-H2O* MODEL

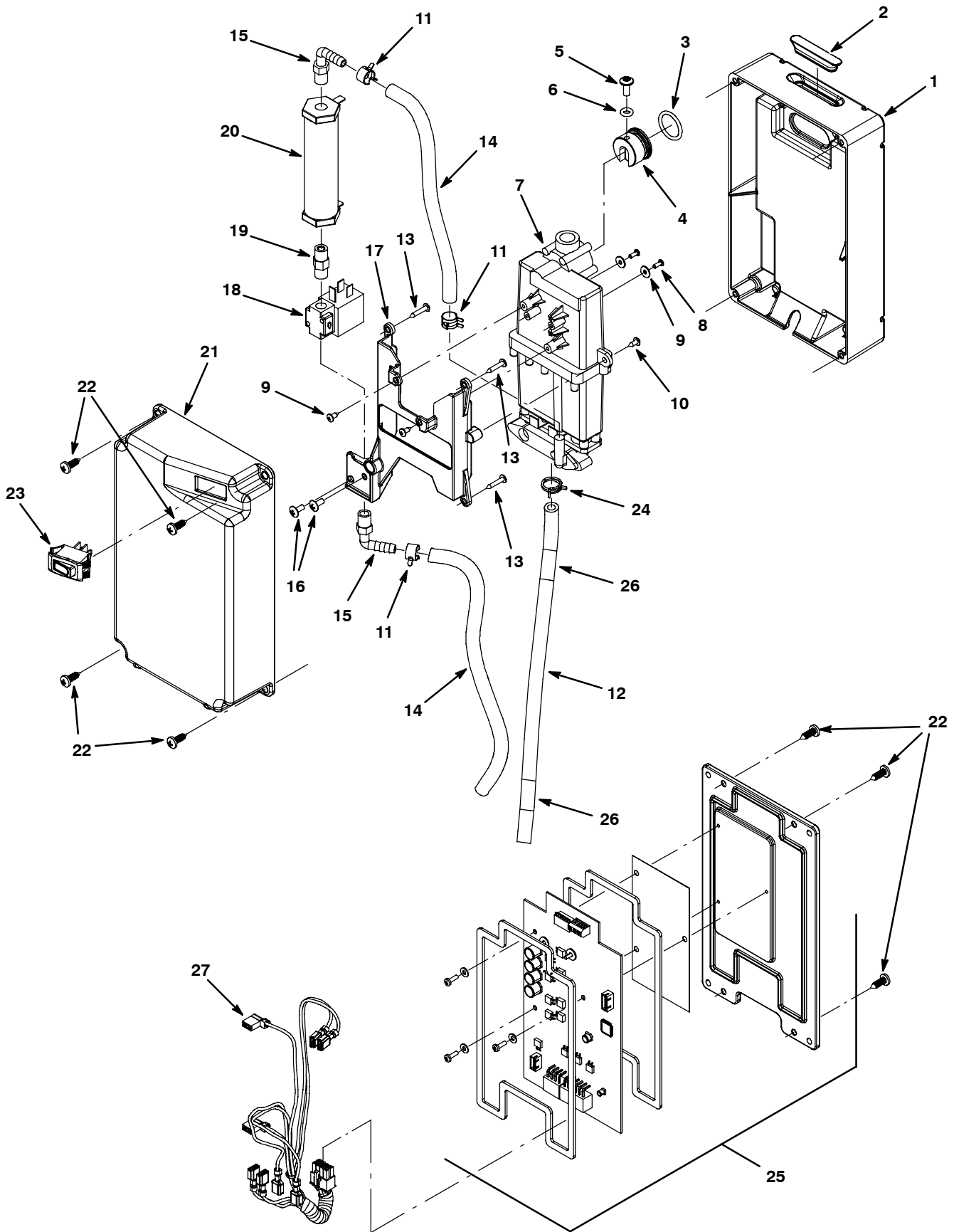
Ref.	Part No.	Serial Number	Description	Qty.
1	1045820	(10378531-	) Bracket, Mtg	1
2	11635	(10378531-	) Screw, Hex, M6 X 1.00 X 12, NI, Ss	1
3	01684	(10378531-	) Washer, Flat, 0.27b 0.69d .05, Ss	5
4	392937	(10378531-	)● Horn, 12-48vdc [94 Decibels]	1
5	1012544	(10372394-	) Bracket, Sppt, Shrd	2
6	08712	(10372394-	) Nut, Hex, Lock, M6 X 1.00, NI, Ss	4
7	1034731	(10372394-	) Screw, Hex, M6 X 1.00 X 16, Sems, Ss	6
8	43555	(10372394-	) Clamp, Hose, Wormdrive, 2.50-3.50d, .50w	2
9	1042495	(10378531-	)● Pump, Soltn, Ele, 24vdc, 35psi	1
10	1005630	(10372394-	) Fitting, Plstc, E90, Bm06/Pm06, Nyl	1
11	607775	(10372394-	) Clamp, Hose, Wir, .63 - .66, Blk	7
12	1017386	(10372394-	)● Valve, Vent, Air, Float Type	1
13	24698	(10372394-	) Fitting, Brs, Str, Pf02/Pm06	1
14	601483	(10372394-	) Fitting, Brs, Tee, Pf06/Pf06/Pm06, Run	1
15	150417	(10378531-	) Fitting, Plstc, E90, Bm04/Pm06	1
16	603654	(10378531-	) Clamp, Hose, Ear, .44d [Ctb]	13
17	9004748	(10378531-	) Hose, Pvc, Clr, 0.38id 0.62od 42l	1
18	1044335	(10378531-	)● Switch, Press, 5psi, Pm02	1
19	150520	(10378531-	) Fitting, Brs, Str, Bm04/Pf02	1
20	578820000	(10378531-	) Hose, Pvc, Brd, 0.25id 0.44od 157.2l,Clr	1
21	150713	(10378531-	) Fitting, Plstc, Tee, Bm04/Bm04/Bm04	3
22	1044334	(10378531-	)● Valve, Check, 0017psi Bm04/Bm04	1
23	50895	(10378531-	) Fitting, Plstc, Tee, Bm04/Bm06/Bm06, Br	1
24	613451	(10372394-	) Hose, Pyu, Clr, 0.38id 0.62od 012.0l	1
25	1015071	(10372394-	) Hose, Afmkt, Pvc, Clr, 0.50id, 01ft	1
26	1043866	(10378531-	)● Fitting Assy, Qd, Pf04	1
27	50901	(10378531-	) Fitting, Plstc, Str, Bm04/Pm04	1
28	1045902	(10378531-	) Cover, Motor, Brush [T3 Ec-H2o]	1
29	612774	(10372394-	) Fitting, Plstc, Str, Bm06/Bm08	1
30	607776	(10372394-	) Clamp, Hose, Wir, .73 - .77, Silver	4
31	1013505	(10372394-	) Fitting, Plstc, E90, Bm08/Pm08, Nyl	1
32	606241	(10372394-	) Hose, Pvc, Clr, 0.50id 0.75od 006.0l	1
33	630372	(10372394-	) Fitting, Plstc, Tee, Bm06/Bm08/Bm08, Br	1
34	069760725	(10372394-	) Hose, Pvc, Clr, 0.50id 0.75od 003.0l	1
35	1013442	(10372394-	)● Knob, Valve, Indicator, Blk	1
36	1017091	(10372394-	) Spring, Cmpr, 0.50od .04wir 00.8l	1
▽	37	1016595	(10372394-)● Valve, .25-20 [Liq Dispensing]	1
▲		614265	(10372394-)● Valve Kit, Water [Viton Diaphragm]	1
▽	38	9006161	(10378531-)● Module Kit, Replmt [Ec-H2o]	1
▲	39	9004606	(10378531-) Hose, Pvc, Brd, .25id .45od 46l, Clr	1
▲	40	578820000	(10378531-) Hose, Pvc, Brd, 0.25id 0.44od 157.2l,Clr	1
	41	613735	(10378531-) Clamp, Hose, Wir, .40 - .42, Yel	1

▽ ASSEMBLY

▲ INCLUDED IN ASSEMBLY

● RECOMMENDED STOCK ITEMS

9006161 *ec-H2O* MODULE ASSEMBLY BREAKDOWN



9006161 *ec-H2O* MODULE ASSEMBLY BREAKDOWN

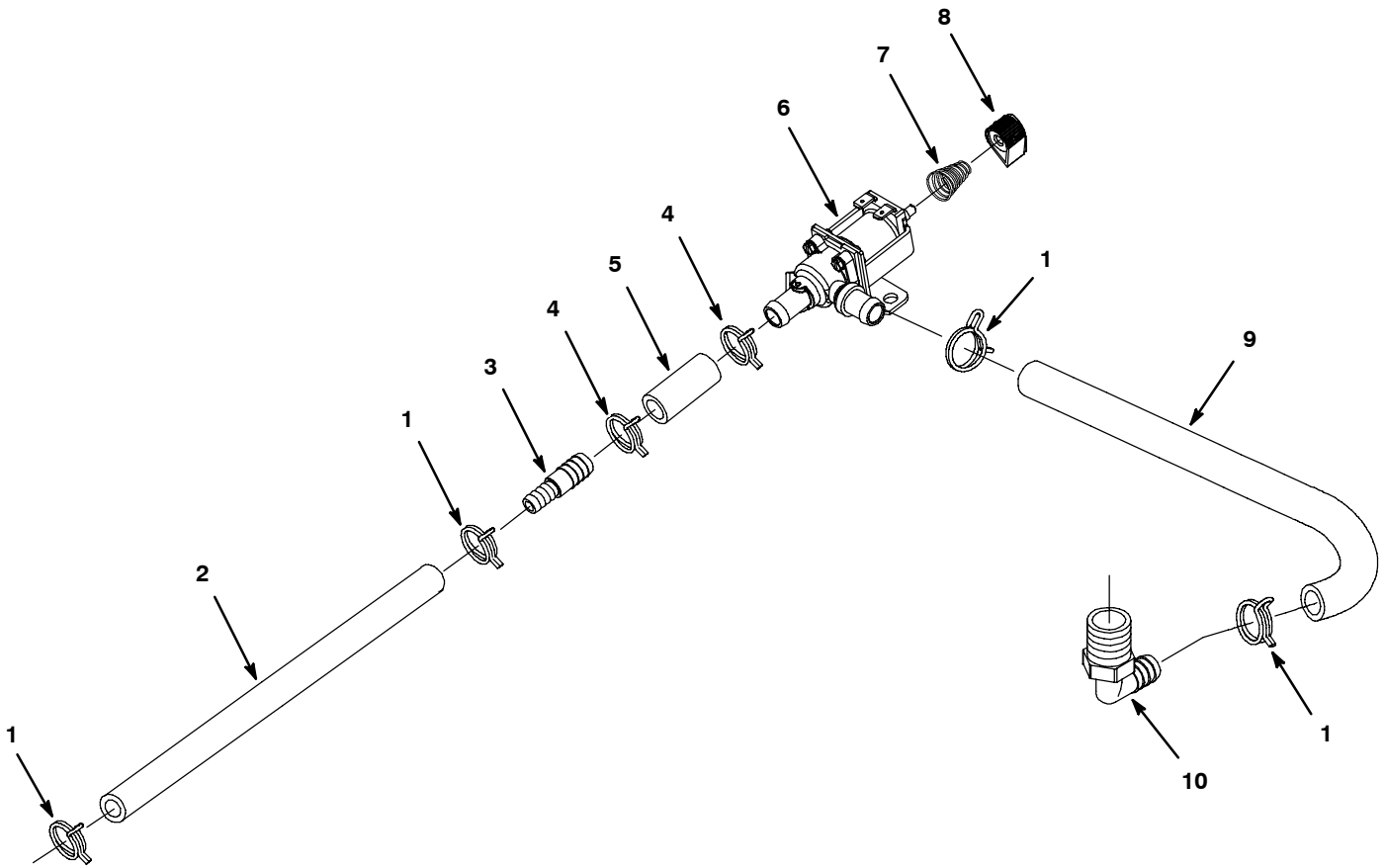
Ref.	Part No.	Serial Number	Description	Qty.
▽	9006161	(10378531-	)● Module Kit, Replmt [Ec-H2o]	1
▲	1 1037032	(10378531-	) Housing, Bottom	1
▲	2 1050431	(10378531-	)● Grommet, Blind	1
▲	3 1038220	(10378531-	)● Seal, Org, .799 X .103, Viton	1
▲	4 1048220	(10378531-	) Plug, Cell	1
▲	5 609062	(10378531-	) Screw, Trs, Phl, 08-32 X 0.38, Ss	1
▲	6 1038277	(10378531-	)● Seal, Org, .206 X .103, Viton	1
▲	7 1033963	(10378531-	)● Electrode, 5 Plate	1
▲	8 578860	(10378531-	) Screw, Pan, Phl, 04-40 X 0.31, PI	2
▲	9 02892	(10378531-	) Washer, Flat, 0.12b 0.38d .03, Stl, PI	2
▲	10 3701.6	(10378531-	) Screw, Pan, Phl, 06-32 X 0.38, Shtmtl,Ss	4
▲	11 603654	(10378531-	) Clamp, Hose, Ear, .44d [Ctb]	3
▲	12 9004606	(10378531-	) Hose, Pvc, Clr, 0.25id 0.38od 064.0l	1
▲	13 140826	(10378531-	) Screw, Pan, 06-32 X 0.75, Fmg/Ab, Ss	4
▲	14 578820000	(10378531-	) Hose, Pvc, Brd, 0.25id 0.44od 157.2l,Clr	1
▲	15 1037595	(10378531-	) Fitting, Plstc, E90, Bm04/Pm02, Nyl	2
▲	16 140801	(10378531-	) Screw, Trs, Phl, 08-32 X 0.38, Ss	2
▲	17 1038618	(10378531-	) Adapter, Cell	1
▲	18 1013236	(10378531-	)● Valve, Shutoff, Ele, 24vdc	1
▲	19 1045030	(10378531-	) Fitting, Brs, Str, Pm02/Pm02	1
▲	20 1038159	(10378531-	)● Electrode, Cylindrical	1
▲	21 1037034	(10378531-	) Housing, Upper	1
▲	22 1018155	(10378531-	) Screw, Pan, Phl, M5 X 0.80 X 16, Tcut,Ss	8
▲	23 1044393	(10378531-	)● Switch, Rocker, Spst, Mom,	1
▲	24 613735	(10378380-	) Clamp, Hose, Wir, .40 - .42, Yel	1
▲	25 9006159	(10378531-	)● Controller Kit, Replmt [Ec-H2o]	1
▲	26 1049637	(10378380-	) Label, Direction [Ec-H2o]	2
	27 1044399	(10378531-	)● Harness, Main, Controller [Ec-H2o, P3]	1

▽ ASSEMBLY

▲ INCLUDED IN ASSEMBLY

● RECOMMENDED STOCK ITEMS

SOLUTION GROUP, STANDARD MODEL



## SOLUTION GROUP, STANDARD MODEL

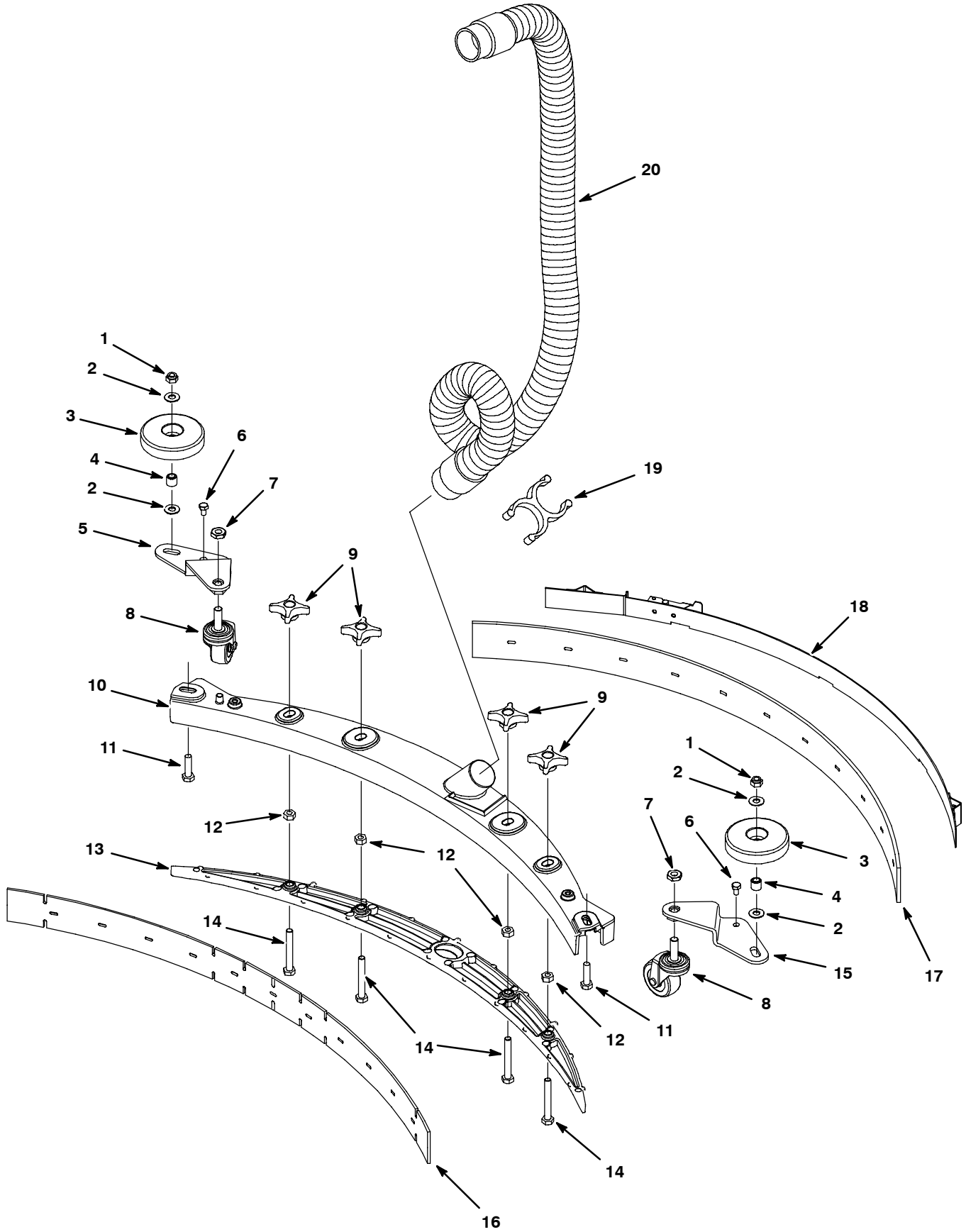
Ref.	Part No.	Serial Number	Description	Qty.
1	607775	(10372394-	) Clamp, Hose, Wir, .63 - .66, Blk	4
2	613444	(10372394-	) Hose, Pyu, Clr, 0.38id 0.62od 020.0l	1
3	612774	(10372394-	) Fitting, Plstc, Str, Bm06/Bm08	1
4	607776	(10372394-	) Clamp, Hose, Wir, .73 - .77, Silver	2
5	606225	(10372394-	) Hose, Pvc, Clr, 0.50id 0.75od 001.8l	1
▽	6	1016595	(10372394-) ● Valve, .25-20 [Liq Dispensing]	1
▲	614265	(10372394-	) ● Valve Kit, Water [Viton Diaphram]	1
	7	1017091	(10372394-) ) Spring, Cmpr, 0.50od .04wir 00.8l	1
	8	1013442	(10372394-) ● Knob, Valve, Indicator, Blk	1
	9	613518	(10372394-) ) Hose, Pvc, Clr, 0.50id 0.75od 008.0l	1
	10	1013505	(10372394-) ) Fitting, Plstc, E90, Bm08/Pm08, Nyl	1

▽ ASSEMBLY

▲ INCLUDED IN ASSEMBLY

● RECOMMENDED STOCK ITEMS

SQUEEGEE GROUP



## SQUEEGEE GROUP

Ref.	Part No.	Serial Number	Description	Qty.
▽	9001178	(10372394-	)● Squeegee Assy Kit, 500mm, Ci	1
▲	1 08713	(10372394-	) Nut, Hex, Lock, M8 X 1.25, NI, Ss	2
▲	2 140027	(10372394-	) Washer, Flat, 0.35b 0.75d .04, Ss	4
▲	3 1010560	(10372394-	)● Wheel, Bmpr, 80d X 25w, Non-Marking	2
▲	4 222460	(10372394-	) Sleeve, P/M, 0.31b 0.50d 0.5l [430ss]	2
▲	5 1011228	(10372394-	) Plate, Mtg, Caster, Sqge, Rh	1
▲	6 74455	(10372394-	) Screw, Hex, M6 X 1.0 X 12, Fmg	2
▲	7 32716	(10372394-	) Nut, Hex, Jam, M10 X 1.5, Ss	2
▲	8 1006343	(10372394-	)● Caster, Swivel, 50mmd, M10 X 30, Clr PI	2
▲	9 1010558	(10372394-	)● Knob, Star, 2.00d 4ear 0.7l M8x1.25,Thru	4
▲	10 1011163	(10372394-	) Frame, Sqge, 74cm, Die Cast [50cm - T3]	1
▲	11 09011	(10372394-	) Screw, Hex, M8 X 1.25 X 30, Ss	2
▲	12 07786	(10372394-	) Nut, Hex, Std, M8 X 1.25, Ss	4
▲	13 1019919	(10372394-	) Retainer, Sqge, 76cm Nyl, Blk [50cm-T3]	1
▲	14 1014163	(10372394-	) Screw, Hex, M8 X 1.25 X 60, Fl, Ss	4
▲	15 1011956	(10372394-	) Plate, Mtg, Caster, Sqge, Lh	1
▲	16 1011232	(10372394-	)● Blade, Sqge, Front, 500mml Linatex (Standard)	1
	16 1014091	(10372394-	)● Blade, Sqge, Front, 500mml, Gum (Optional)	1
	16 1014092	(10372394-	)● Blade, Sqge, Front, 500mml, Oil-Rstn (Optional)	1
▲	17 1011456	(10372394-	)● Blade, Sqge, Rear, 32.7l, Linatex[500mm] (Standard)	1
	17 1014093	(10372394-	)● Blade, Sqge, Rear, 32.7l, Gum [500mm] (Optional)	1
	17 1014094	(10372394-	)● Blade, Sqge, Rear, 32.7l,Oil-Rstn[500mm] (Optional)	1
▲	18 1013933	(10372394-	) Strap Assy, Sqge, 500mm [Triple Threat]	1
	19 1014079	(10372394-	)● Clip, Grip, Hose, 1.50id, Dbl, Blk Pyp	1
	20 1014026	(10372394-	)● Hose, Vacuum, 1.50id X 057.0l, 2cuff	1

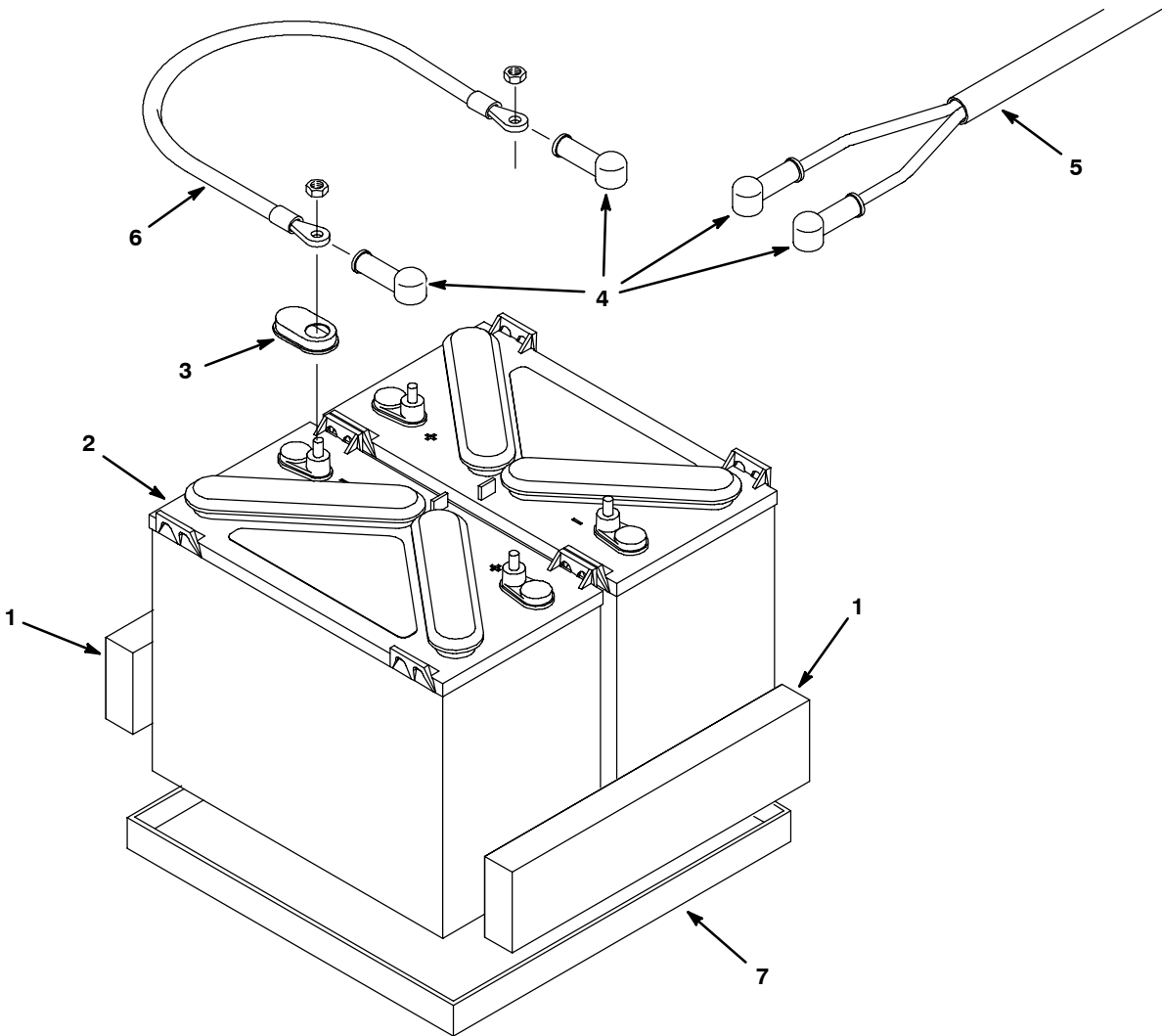
▽ ASSEMBLY

▲ INCLUDED IN ASSEMBLY

● RECOMMENDED STOCK ITEMS

# STANDARD PARTS

## BATTERY GROUP, 12V/155AH, 50 cm (20 in) DRIVE MODEL



Ref.	Part No.	Serial Number	Description	Qty.	
1	630375	(10372394-	)● Spacer, Battery, 1.25 X 3.3 X 13.7, Foam	2	
▽	2	1015046	(10372394-	)● Battery, Wet, 12vdc 0155ah	2
▲	3	1041030	(10372394-	)● Cap, Battery	4
	4	611221	(10372394-	)● Boot, Terminal, Battery, 25.4mm, Blk	4
	5	1015941	(10372394-	) Harness, Battery [T3]	1
	6	130364	(10372394-	)● Cable, 06ga 15.0l Blk .31ring /.38ring	1
	7	1012994	(10372394-	)● Tray, Battery [T3]	1

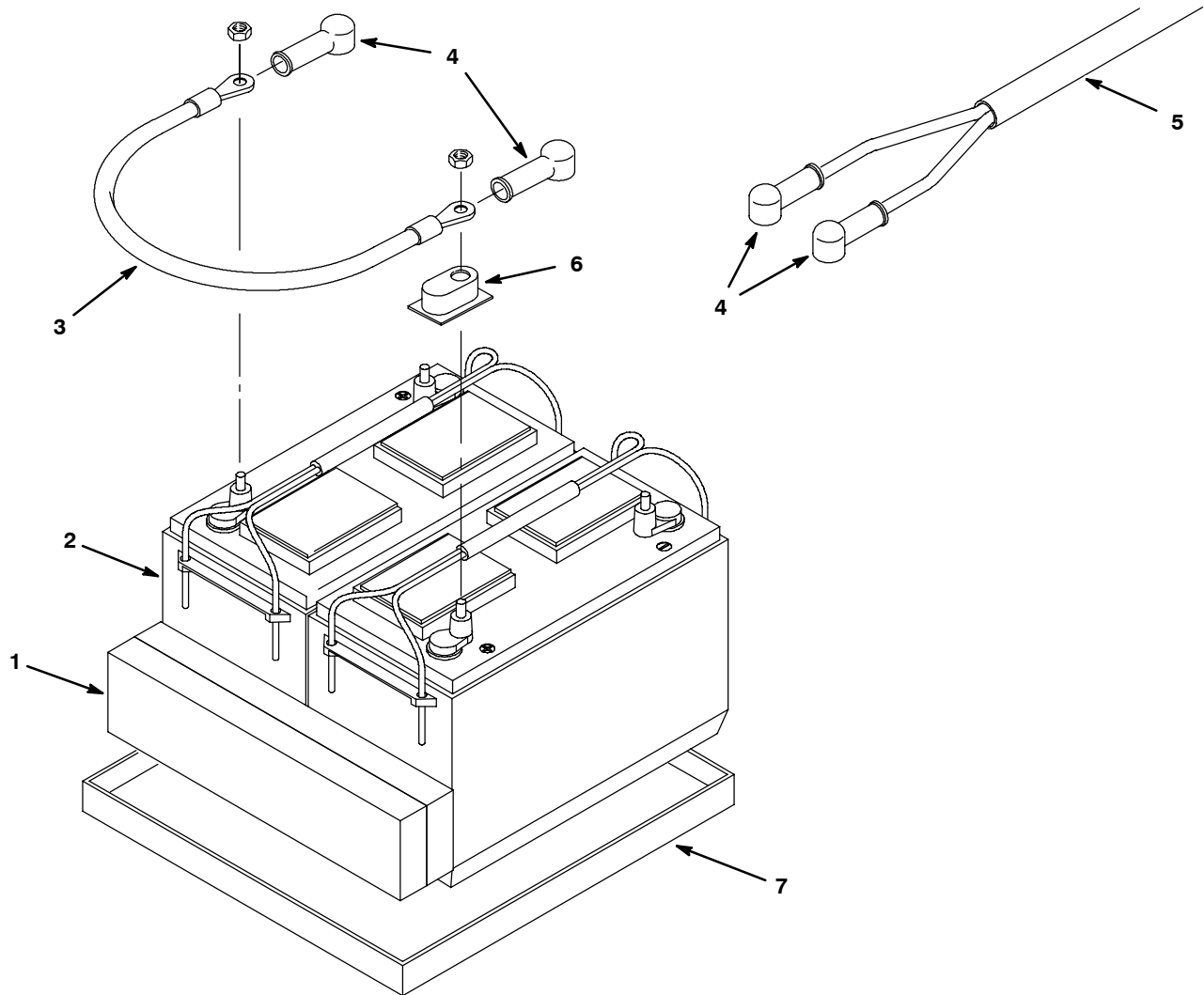
▽ ASSEMBLY

▲ INCLUDED IN ASSEMBLY

● RECOMMENDED STOCK ITEMS



BATTERY GROUP, 12V/130AH, 50 cm (20 in) BRUSH ASSIST MODEL

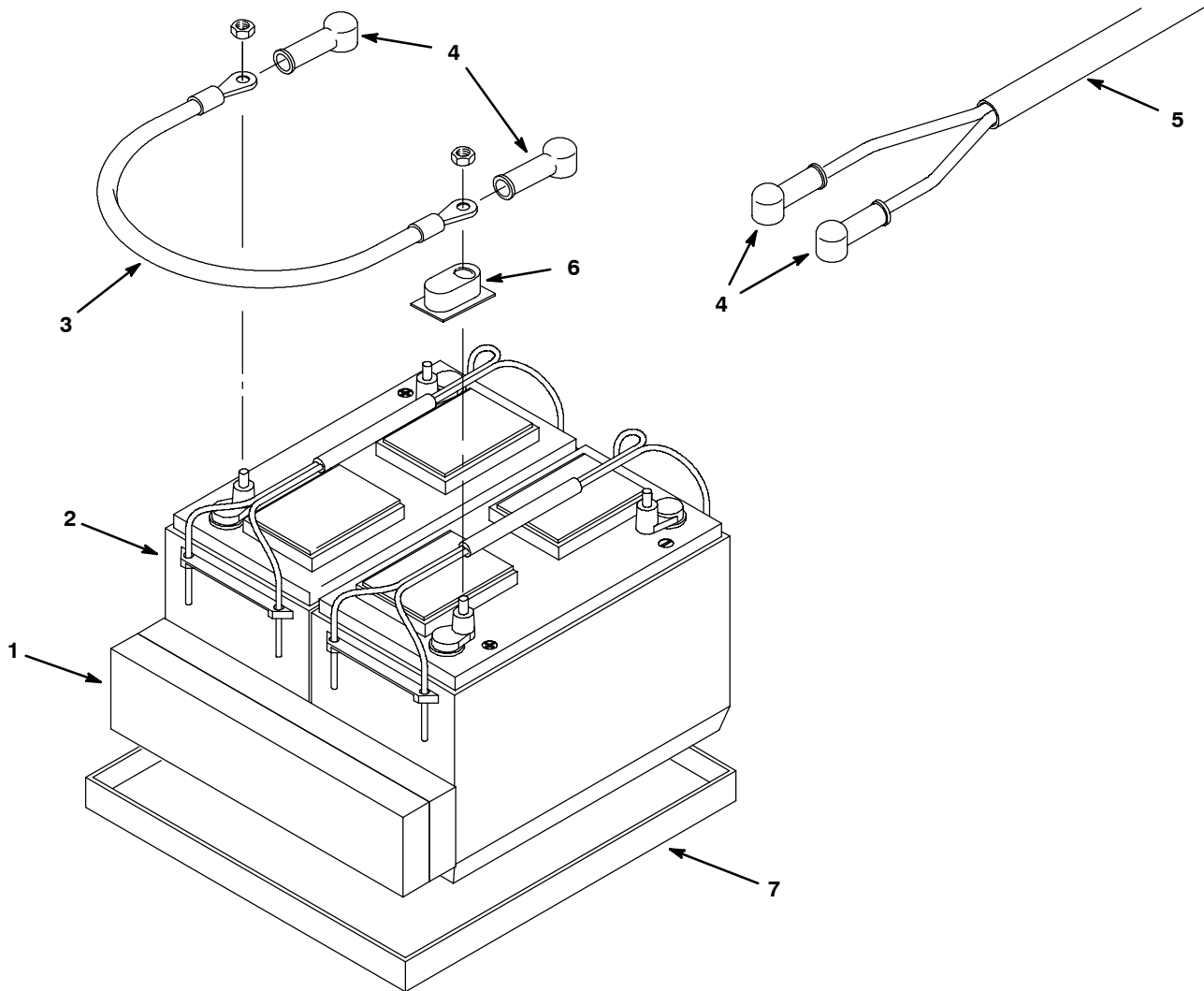


Ref.	Part No.	Serial Number	Description	Qty.
1	630375	(10372394-	)● Spacer, Battery, 1.25 X 3.3 X 13.7, Foam	2
2	130869	(10372394-	)● Battery, 12vdc 0130ah [30xhs-Wnt]	2
3	130364	(10372394-	)● Cable, 06ga 15.0l Blk .31ring /.38ring	1
4	611221	(10372394-	)● Boot, Terminal, Battery, 25.4mm, Blk	4
5	1015941	(10372394-	) Harness, Battery [T3]	1
6	45962	(10372394-	) Cap, Plstc, .04 1.38 X 2.30 0.5l	4
7	1012994	(10372394-	)● Tray, Battery [T3]	1

● RECOMMENDED STOCK ITEMS

# STANDARD PARTS

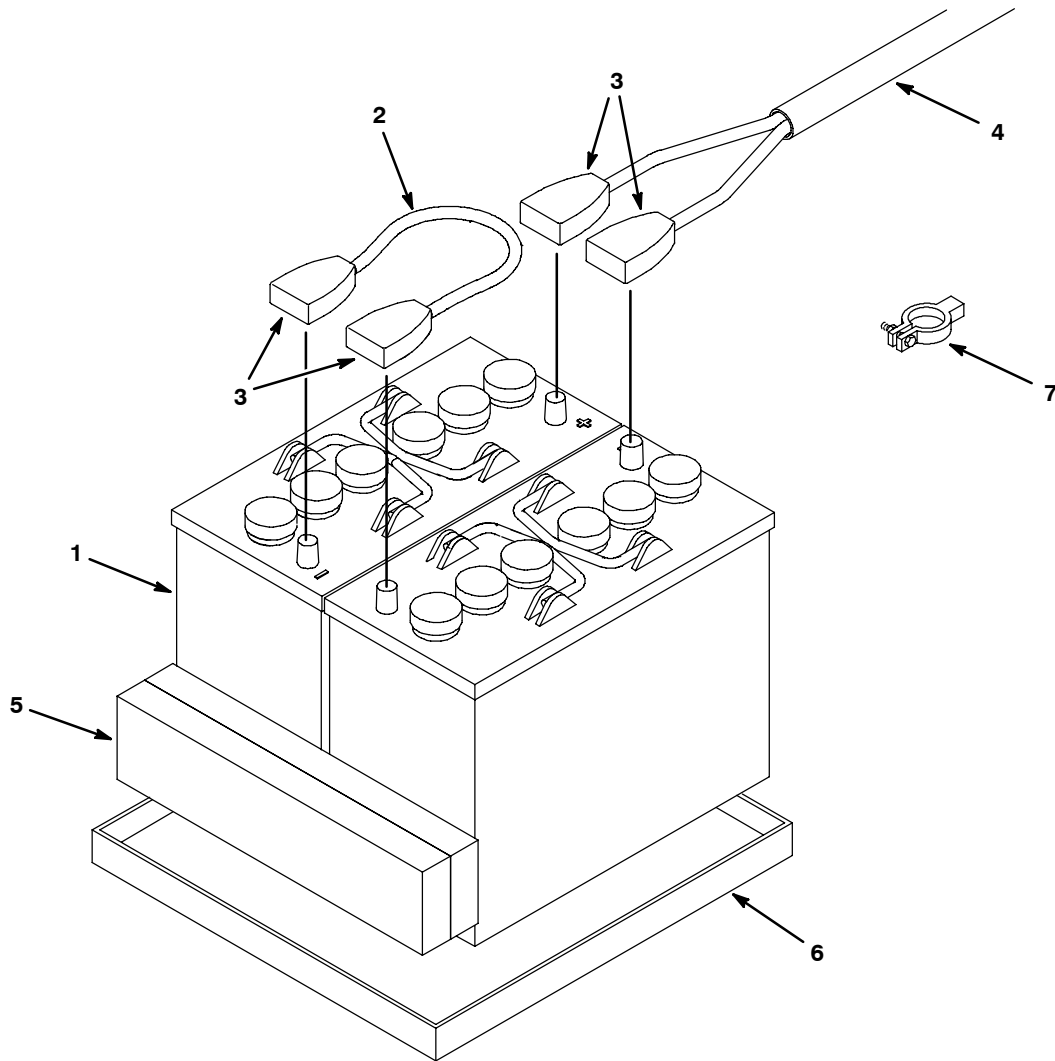
## BATTERY GROUP, 12V/105AH, 43 cm (17 in) BRUSH ASSIST MODEL



Ref.	Part No.	Serial Number	Description	Qty.
1	630375	(10372394-	)● Spacer, Battery, 1.25 X 3.3 X 13.7, Foam	2
2	578426	(10372394-	)● Battery, 12vdc 0105ah 0530cca [27tmx]	2
2	130869	(10372394-	)● Battery, 12vdc 0130ah [30Xhs-Wnt] (Japan)	2
3	130364	(10372394-	)● Cable, 06ga 15.0l Blk .31ring /.38ring	1
4	611221	(10372394-	)● Boot, Terminal, Battery, 25.4mm, Blk	4
5	1015941	(10372394-	) Harness, Battery [T3]	1
6	45962	(10372394-	) Cap, Plstc, .04 1.38 X 2.30 0.5l	4
7	1012994	(10372394-	)● Tray, Battery [T3]	1

● RECOMMENDED STOCK ITEMS

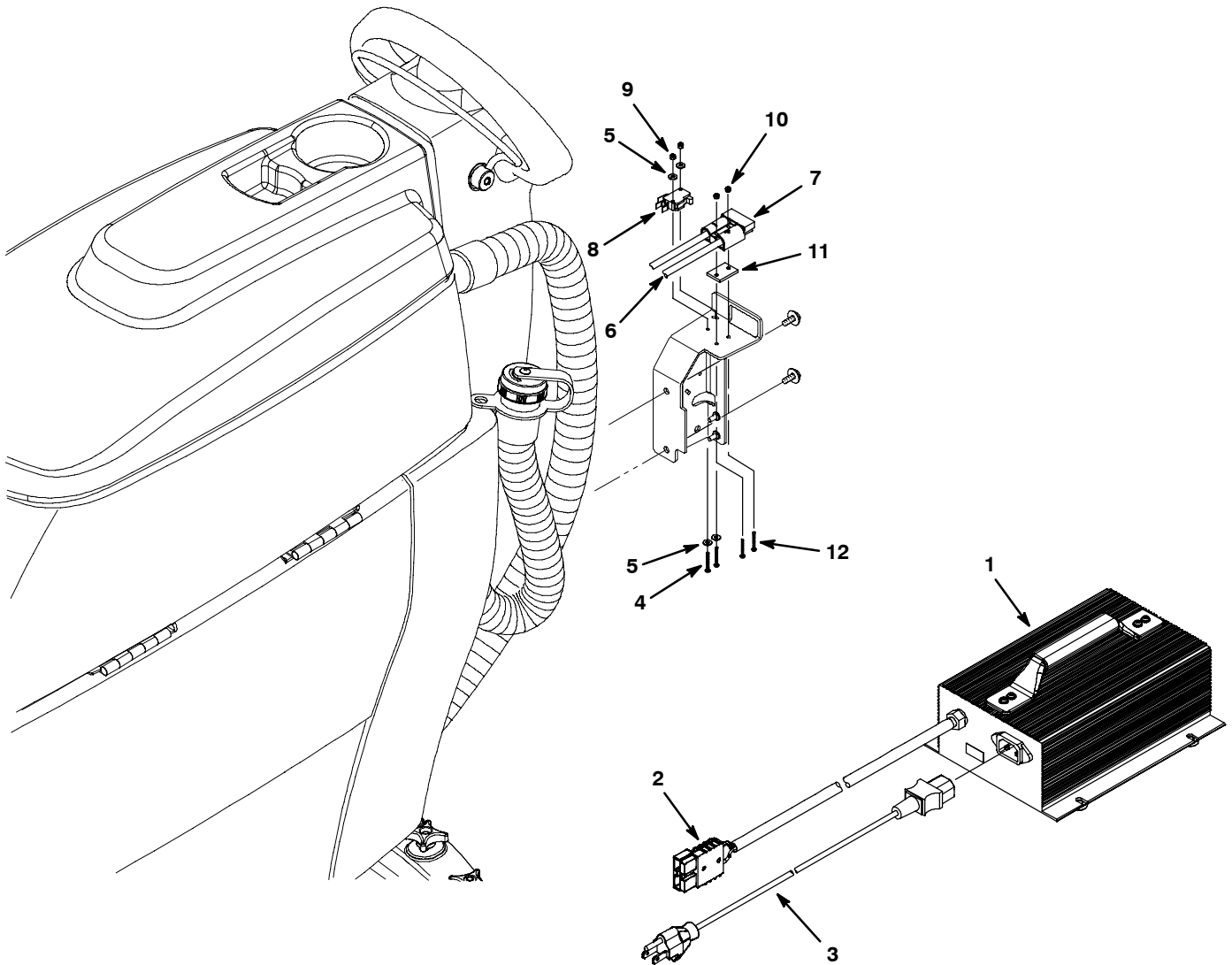
**BATTERY GROUP, MAINTENANCE FREE, 12V/105AH  
(JAPAN MARKET)**



Ref.	Part No.	Serial Number	Description	Qty.
1	994201	(10372394-	)● Battery, 06vdc 165ah [5h, Gf061602]	4
2	130364	(10372394-	)● Cable, 06ga 15.0l Blk .31ring /.38ring	1
3	989860	(10372394-	)● Cover Set, Terminal, Battery (Set of 2)	2
4	1015941	(10372394-	) Harness, Battery [T3]	1
5	630375	(10372394-	) Spacer, Battery, 1.25 X 3.25 X 13.7 Foam	2
6	1012994	(10372394-	)● Tray, Battery [T3]	1
7	93580	(10372394-	)● Clamp, Post, Battery, Positive	2
7	93581	(10372394-	)● Clamp, Post, Battery, Negative	2

● RECOMMENDED STOCK ITEMS

OFF-BOARD BATTERY CHARGER GROUP



## OFF-BOARD BATTERY CHARGER GROUP

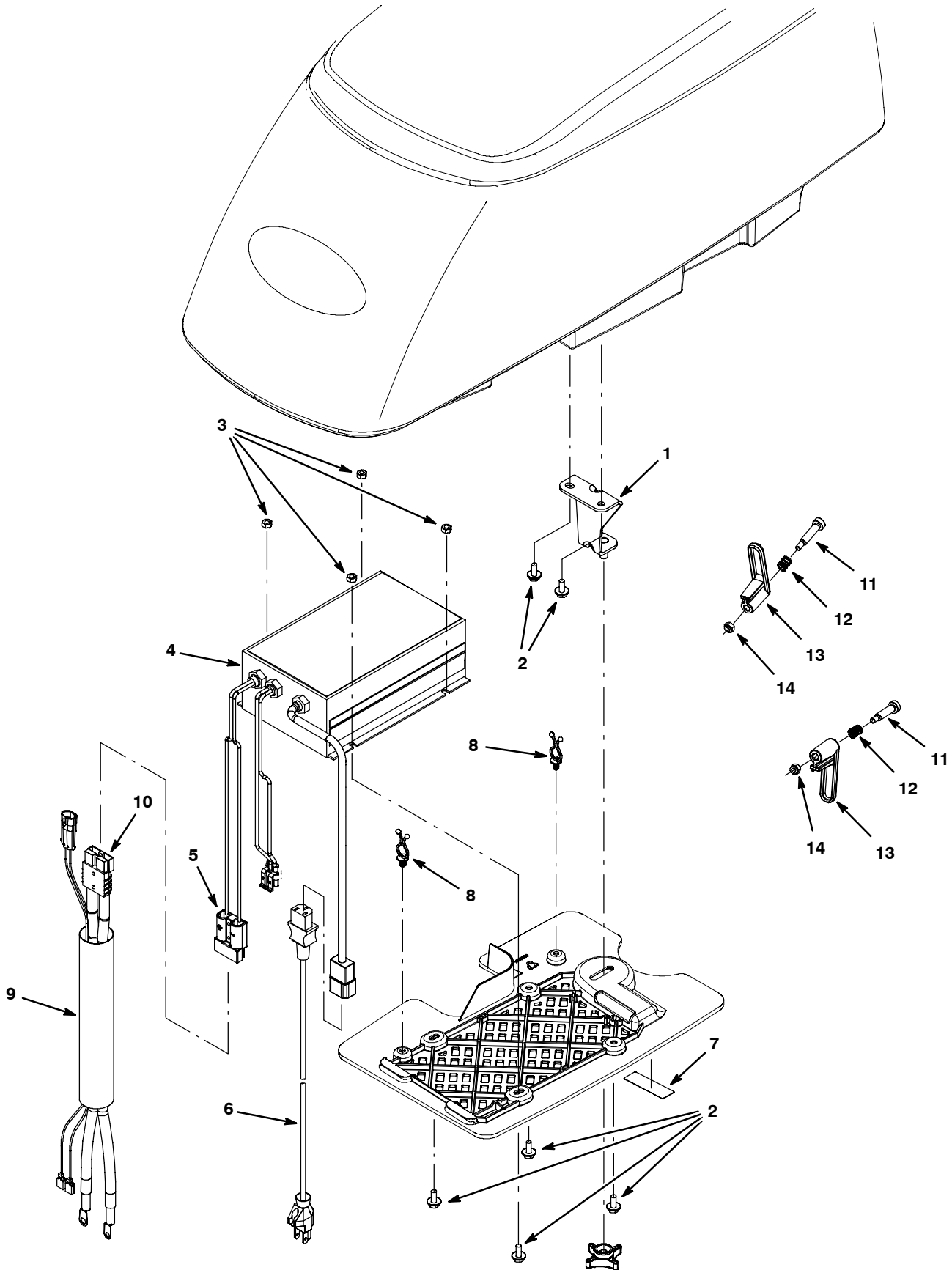
	Ref.	Part No.	Serial Number	Description	Qty.
▽	1	1029216	(10372394-	)● Charger, 24vdc, 11a Var Vac 1ph 50/60hz	1
▲	2	605387	(10372394-	)● Connector, Anderson, 50a,Red W/O Contact	1
	3	1025642	(10372394-	)● Cord, Power, 16/3, 4.5 Meters, Blk [Us] (US/Japan)	1
	3	1026330	(10372394-	)● Cord, Power, 1.0mm2 X 2.5 Meters [ China]	1
	3	1026325	(10372394-	)● Cord, Power, 1.0mm2 X 2.5 Meters [Aus]	1
	3	1032849	(10372394-	)● Cord, Power, 2.5 Meter, Black [Ce]	1
	4	06922	(10372394-	) Screw, Pan, M3 X 0.50 X 20, 4.8	2
	5	41578	(10372394-	) Washer, Flat, #06, Ss	4
▽	6	1033362	(10372394-	) Harness, Chrgr	1
▲	7	605387	(10372394-	)● Connector, Anderson, 50a,Red W/O Contact	1
	8	611005	(10372394-	)● Switch, Rlr, 16a, Micro	1
	9	579211	(10372394-	) Nut, Hex, Lock, M3 X 0.50, Ss	2
	10	33932	(10372394-	) Nut, Hex, Lock, M4 X 0.70, NI, Ss	2
	11	603331	(10372394-	) Spacer, Plug, Chrgr	1
	12	1033197	(10372394-	) Screw, Pan, M4x0.7x24, Phl, Ss [7985]	2

▽ ASSEMBLY

▲ INCLUDED IN ASSEMBLY

● RECOMMENDED STOCK ITEMS

ON-BOARD BATTERY CHARGER GROUP



## ON-BOARD BATTERY CHARGER GROUP

Ref.	Part No.	Serial Number	Description	Qty.
1	1038222	(10372394-	) Bracket, Wldt, Charger Cover	1
2	1034731	(10372394-	) Screw, Hex, M6 X 1.00 X 16, Sems, Ss	6
3	08712	(10372394-	) Nut, Hex, Lock, M6 X 1.00, NI, Ss	4
▽	4	1038145	(10372394-)● Charger, 24vdc 11a 100/240vac 50/60hz	1
▲	5	605387	(10372394-)● Connector, Anderson, 50a,Red W/O Contact	1
6	1025642	(10372394-	)● Cord, Power, 16/3, 4.5 Meters, Blk [Us] (US/Japan)	1
7	1039220	(10372394-	) Label, Chrgr Led Indicator	1
8	30406	(10372394-	) Clip, Keeper	2
▽	9	1037813	(10372394-)● Harness, Chrgr, Onboard [T3-Hd]	1
▲	10	605387	(10372394-)● Connector, Anderson, 50a,Red W/O Contact	1
11	1024965	(10372394-	) Bolt, Shld, 8mmd X 30, M6x1.0	2
12	611311	(10372394-	) Spring, Cmpr, 10.9d, 1.1w, 12.7l Mw Zn	2
13	610906	(10372394-	)● Hook, Cord Viper	2
14	08712	(10372394-	) Nut, Hex, Lock, M6 X 1.00, Ss, NI	2

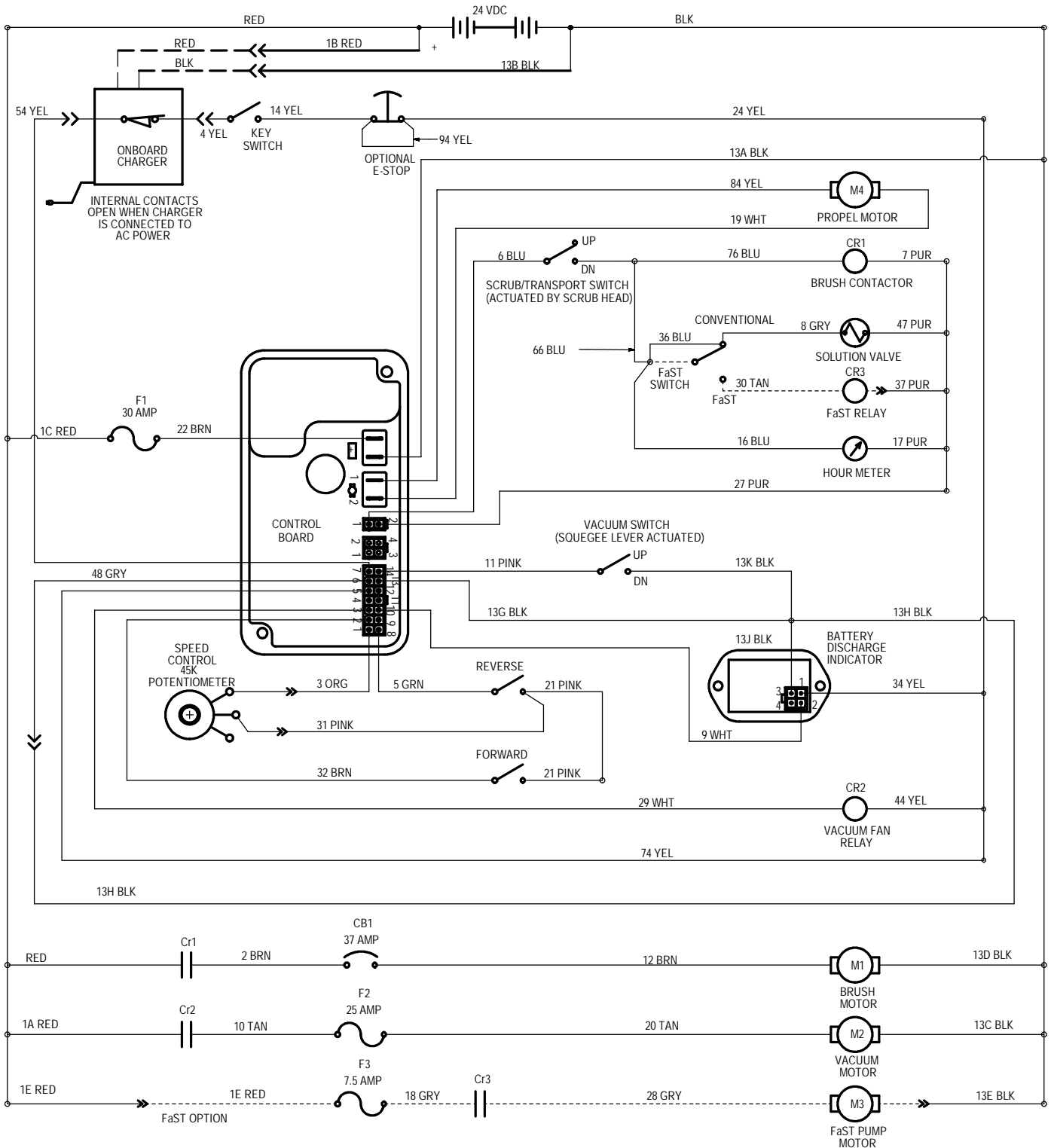
▽ ASSEMBLY

▲ INCLUDED IN ASSEMBLY

● RECOMMENDED STOCK ITEMS

ELECTRICAL DIAGRAM, DRIVE STANDARD & FAST MODEL

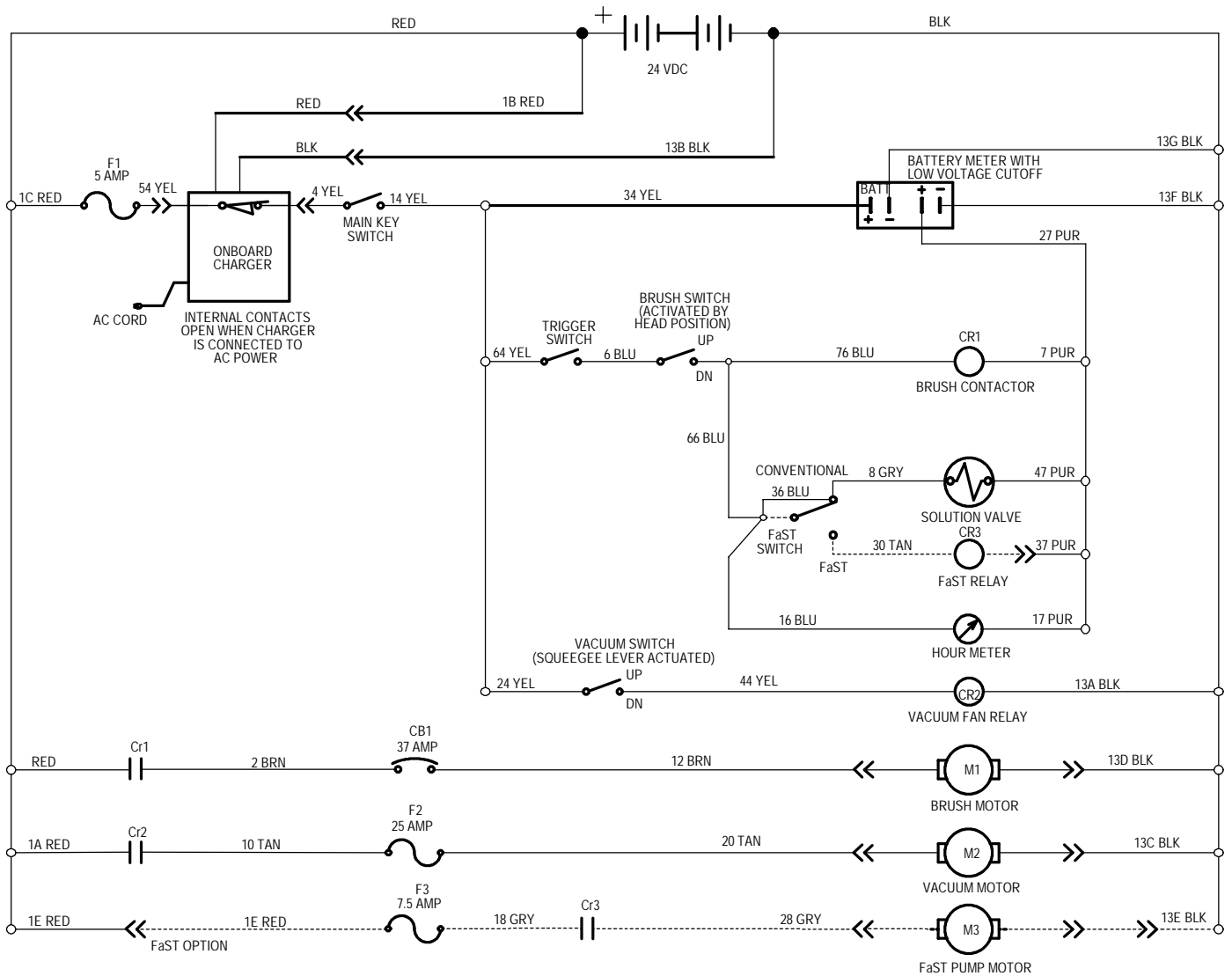
1043407





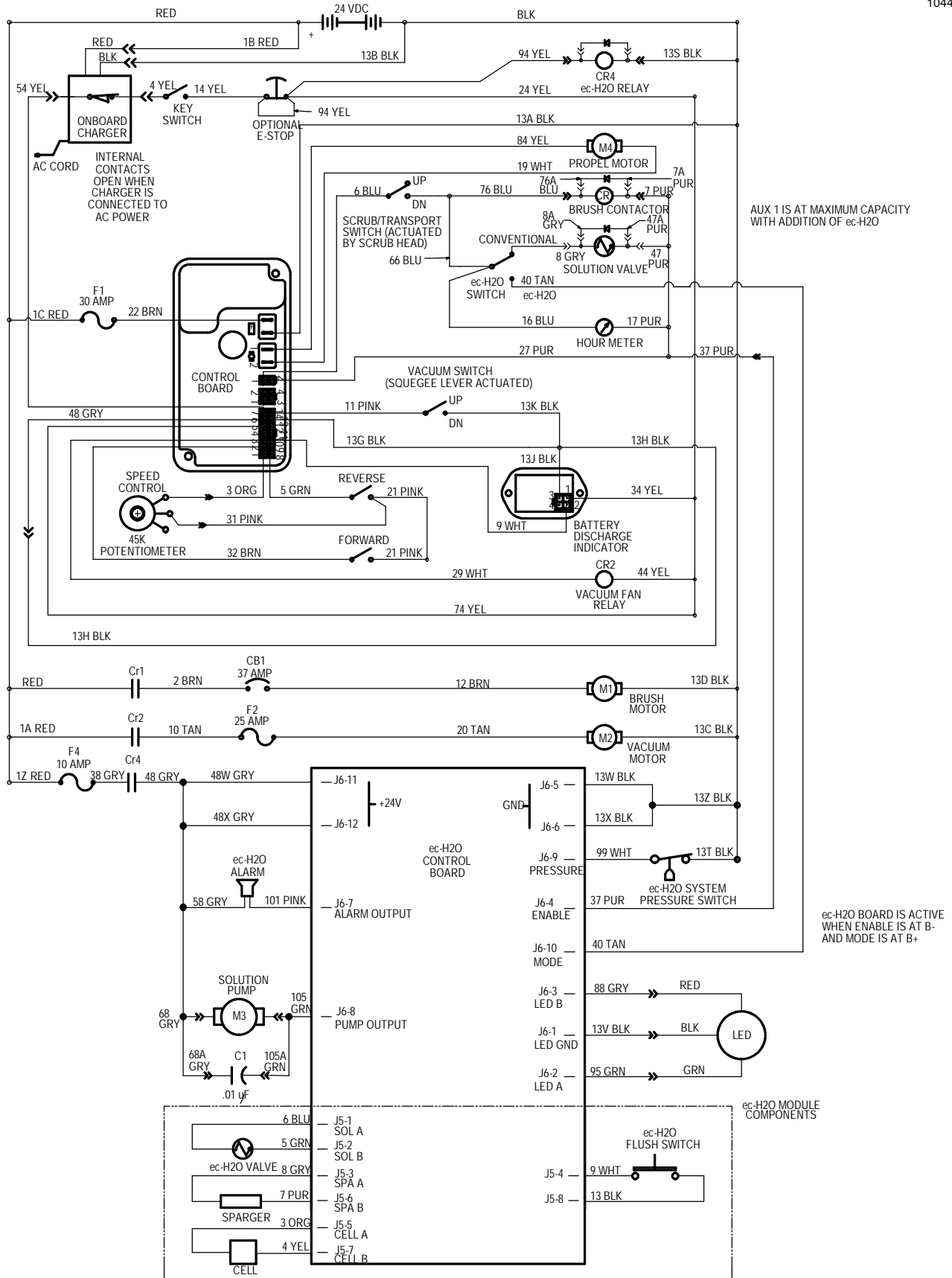
ELECTRICAL DIAGRAM, BRUSH ASSIST STANDARD & FAST MODEL

1043446



ELECTRICAL DIAGRAM, DRIVE *ec-H2O* MODEL

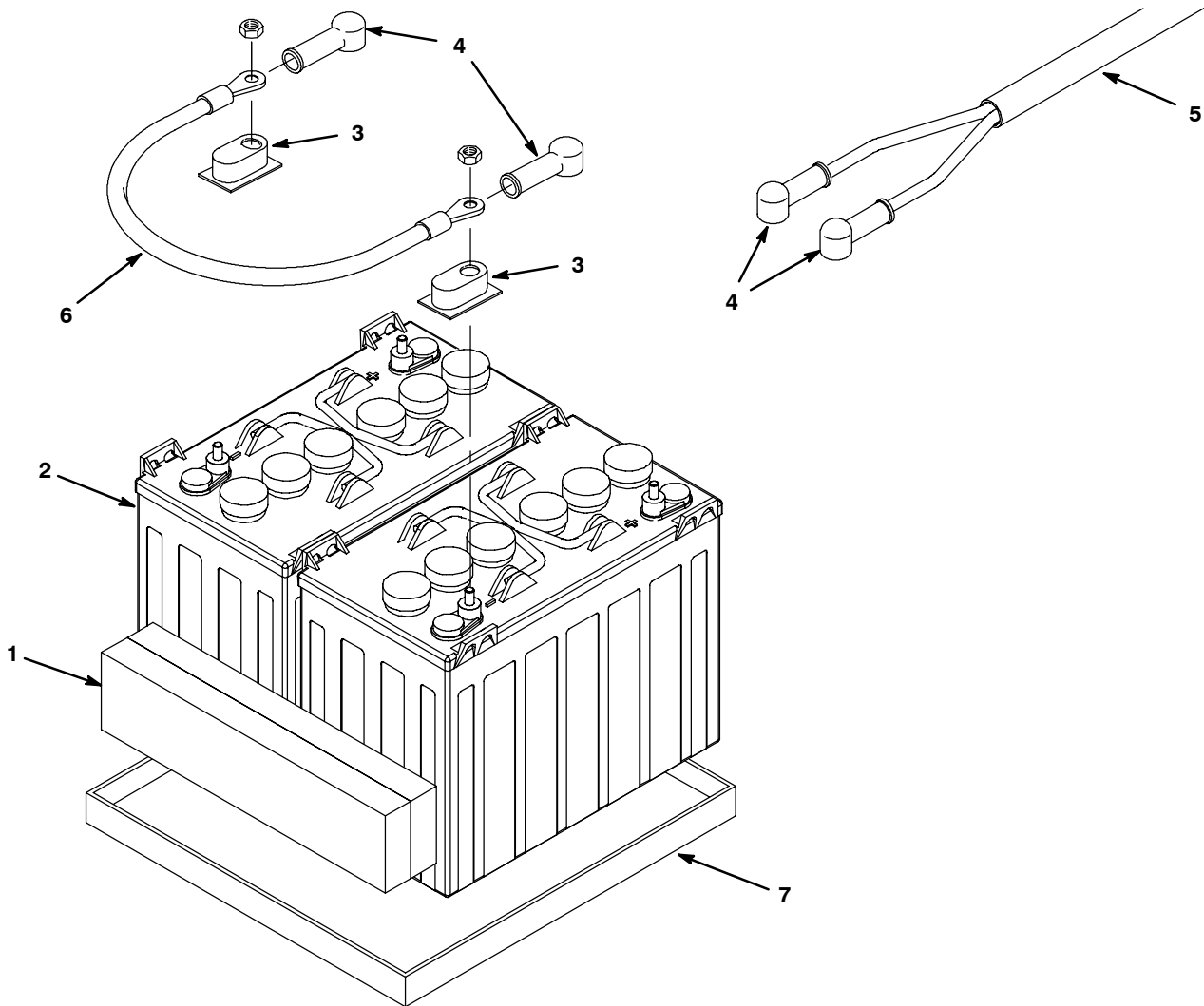
1044402





# OPTIONS

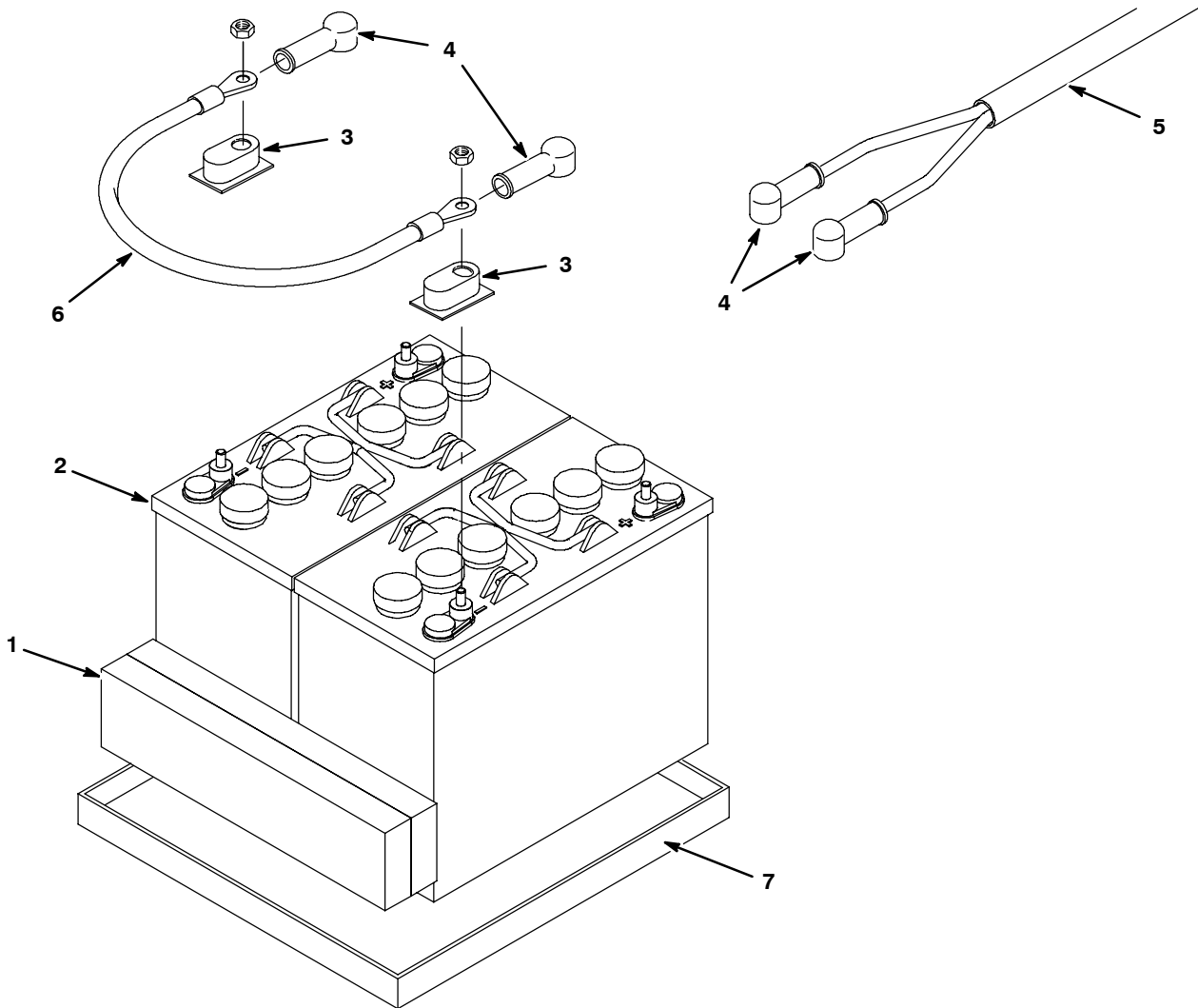
## BATTERY GROUP, MAINTENANCE FREE, 12V/140AH



Ref.	Part No.	Serial Number	Description	Qty.
1	630375	(10372394-	)● Spacer, Battery, 1.25 X 3.3 X 13.7, Foam	2
2	1053408	(10372394-	)● Battery, 12vdc 0140ah Agm	2
3	1041030	(10372394-	)● Cap, Battery	4
4	611221	(10372394-	)● Boot, Terminal, Battery, 25.4mm, Blk	4
5	1015941	(10372394-	) Harness, Battery [T3]	1
6	130364	(10372394-	)● Cable, 06ga 15.0l Blk .31ring /.38ring	1
7	1012994	(10372394-	)● Tray, Battery [T3]	1

● RECOMMENDED STOCK ITEMS

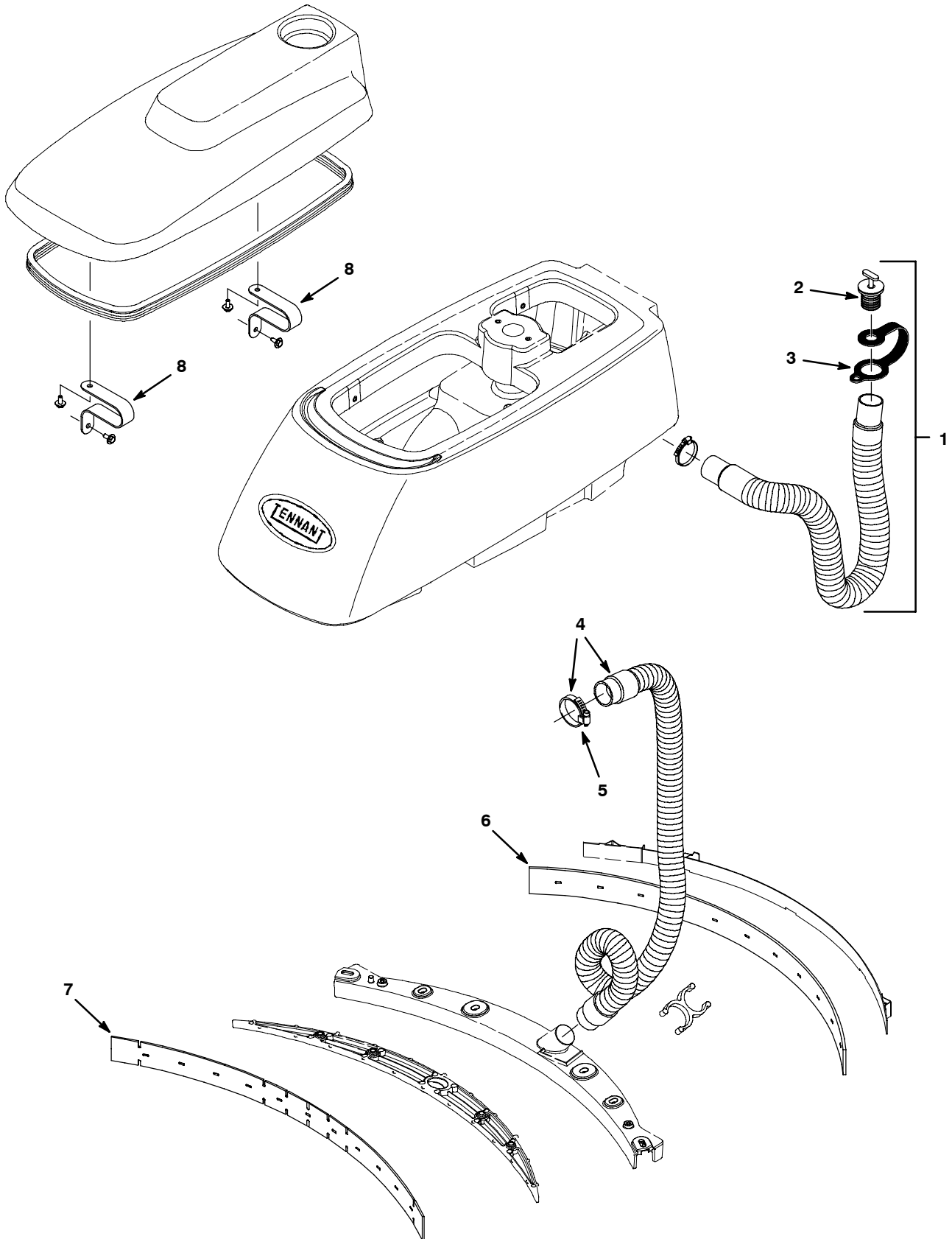
**BATTERY GROUP, GEL, 12V/100AH**



Ref.	Part No.	Serial Number	Description	Qty.
1	630375	(10372394-	)● Spacer, Battery, 1.25 X 3.3 X 13.7, Foam	2
2	611867	(10372394-	)● Battery, Gel, 12vdc 0100ah, Sealed	2
3	1041030	(10372394-	)● Cap, Battery	4
4	611221	(10372394-	)● Boot, Terminal, Battery, 25.4mm, Blk	4
5	1015941	(10372394-	) Harness, Battery [T3]	1
6	130364	(10372394-	)● Cable, 06ga 15.0l Blk .31ring /.38ring	1
7	1012994	(10372394-	)● Tray, Battery [T3]	1

● RECOMMENDED STOCK ITEMS

OIL RESISTANCE GROUP  
(JAPAN MARKET)



**OIL RESISTANCE GROUP  
(JAPAN MARKET)**

	<b>Ref.</b>	<b>Part No.</b>	<b>Serial Number</b>	<b>Description</b>	<b>Qty.</b>
▽		989859	(10372394-	) Kit, Oil Resistance, T3	1
▲▽	1	989857	(10372394-	) Hose Assy, Urethane	1
▲▲	2	398850	(10372394-	) Plug, Expandable, Rnd 1.500h 1.8l	1
▲▲	3	578441	(10372394-	) Strap, Hose, Drain [170/443/E17]	1
▲▽	4	989858	(10372394-	) Assy, Vacuum Hose, Urethane	1
▲▲	5	140308	(10372394-	) Clamp, Hose, Wormdrive, 1.31-2.25d, .50w	1
▲	6	1014094	(10372394-	) Blade, Sqge, Rear, 32.68l Pyu [500mm]	1
▲	7	1014092	(10372394-	) Blade, Sqge, Front, 784mmI Oil-Rstn	1
▲	8	989856	(10372394-	) Strap, Tank, Urethane	2

▽ ASSEMBLY

▲ INCLUDED IN ASSEMBLY